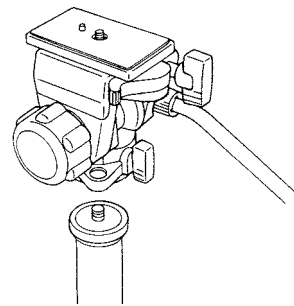
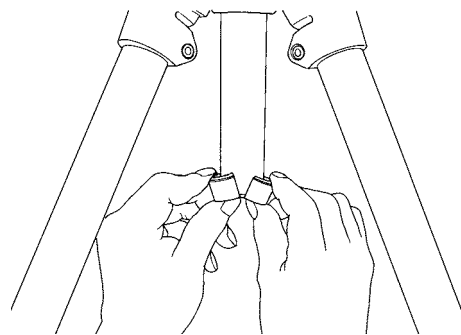


## Inverting the Center Column

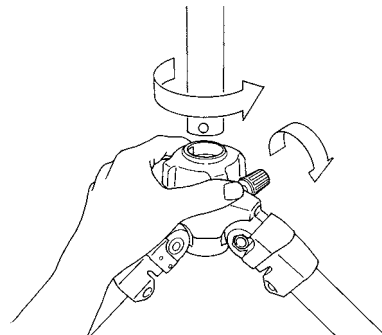
### ⚠ Caution



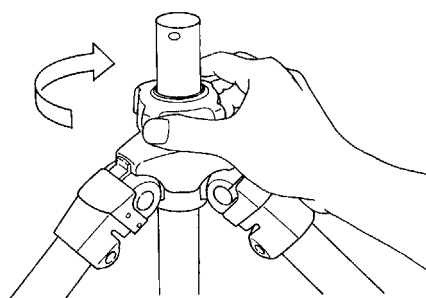
Always remove the Pan Head when replacing the Center Column.



Remove the Rubber Stopper from the Bottom of the column.

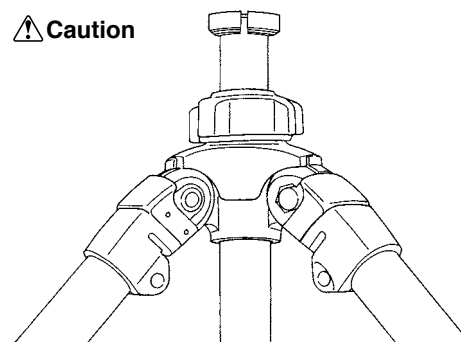


Loosen the Center Column Stopper and the Locking Collar, and then pull out the Center Column.

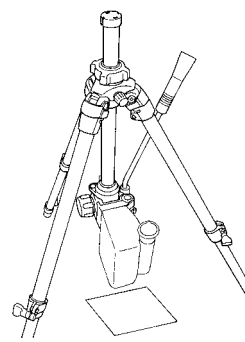


Insert the Center Column from the lower side of Main Body, and tighten the Locking Collar and the Center Column Stopper.

### ⚠ Caution



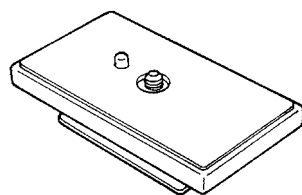
Make sure to re-attach the Rubber stopper, in order to prevent the Center Column from falling out.



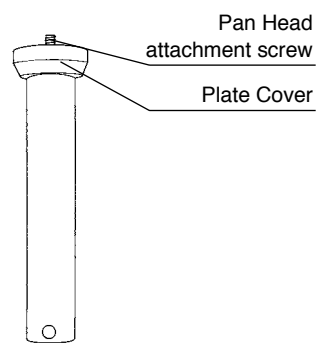
By inverting the Center Column, it is possible to do copy, and close up work. Follow the same procedures in order to replace with optional short Center Column.

## Options

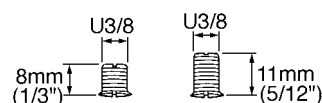
QUICK RELEASE PLATFORM  
Cat. No. 618-735



ABLE 300 DX/ST  
SHORT CENTER COLUMN  
Cat. No. 615-311



THREAD ADAPTER SET  
Cat. No. 618-331



On this tripod, please buy Thread Adapter Set when the Pan Head that there are large screw (U3/8) tripod installation screws is attached.

## Care of the Tripod

- DO NOT apply any grease or oil to this product.
- Clean with a mild detergent and a soft cloth only.
- DO NOT use close to flame. Avoid extreme heat.



Slik Corporation reserves the right to make changes in design and/or improvements on the products without any obligation and advanced notice.

SLIK CORPORATION  
853 Kayama, Hidaka City, Saitama 350-1231 Japan Phone 81-42-989-2141, Fax. 81-42-985-0210 ©1998

# SLIK®

## 504QF II

### Operating Instructions

Congratulations on the purchase of a SLIK 504QF II Tripod. The SLIK Corporation has designed your tripod to be a sturdy, rugged, dependable product that will provide you with many years of satisfactory use.

Please take a few moments to read this instruction sheet carefully so you can take full advantage of your Tripod's many fine features. Retain this instruction sheet in case you might want to refer back to it.

### ⚠ Caution

This caution icon refers to information pertaining to important safety procedures in preventing injuries, and damages which may occur as a result of mishandling this product.

### ⊘ Prohibited

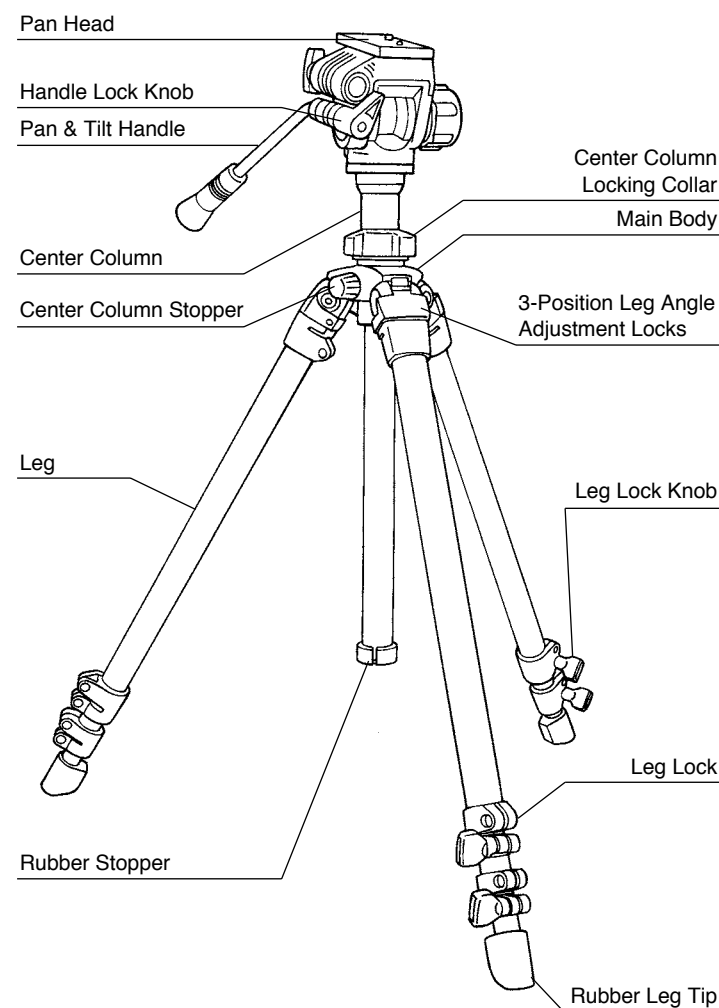
This prohibited icon refers to information pertaining to prohibited contents. Please refer to instructions closely to avoid accidents.

### Specification

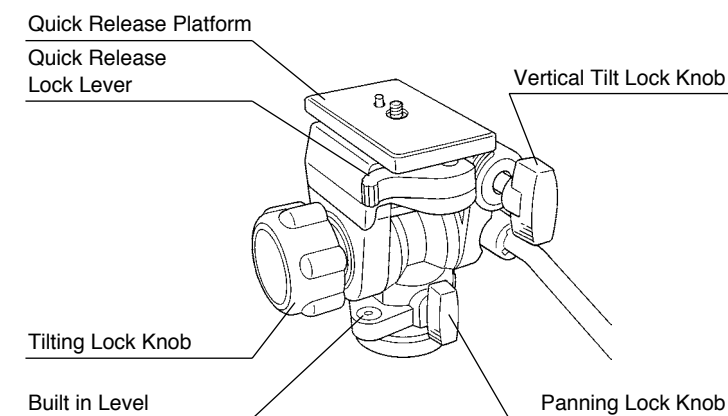
Length folded	690mm (27 1/6")
Max. operating height	1,560mm (61 5/12")
Max. center column ext.	265mm (10 5/12")
Weight	2.57kg (5lbs 10oz)

C080

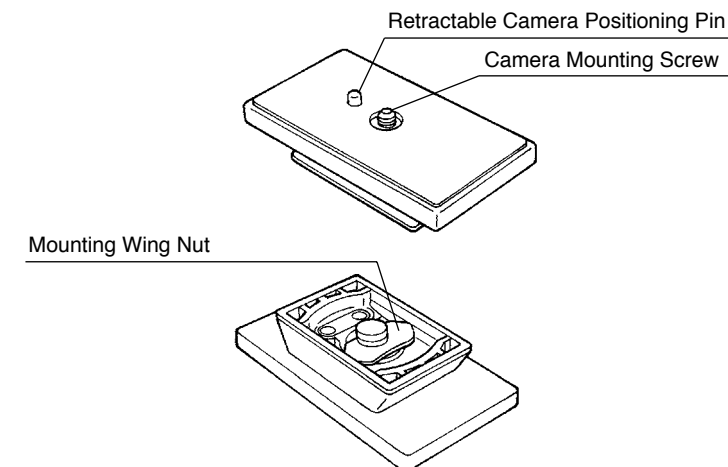
## Components



## Pan Head



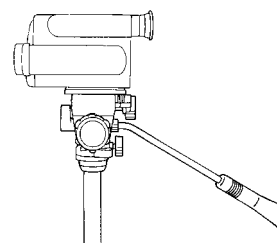
## Quick Release Platform



## Equipment that can be used with this Tripod

### ⚠ Caution

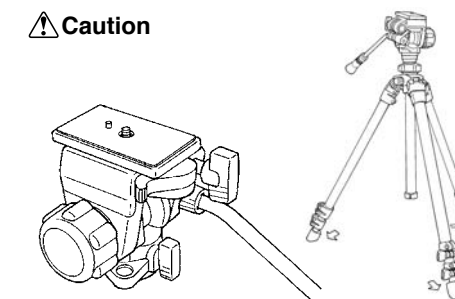
### ⊘ Prohibited



This product has been designed to handle equipment weighing under 5 kgs (11 lbs). Do not overload. Some equipment weighing under 5 kgs (11 lbs), such as long lenses, may not balance well due to its weight distribution. In such case, please use a larger tripod.

## Setting up

### ⚠ Caution

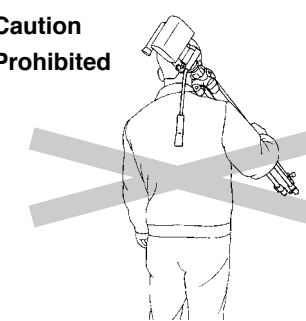


Prevent accidental equipment fall, or tripod tipping over, by making sure all levers, knobs, and handles on the tripod are securely tightened, and that all three legs are opened all the way.

## Carrying the Tripod

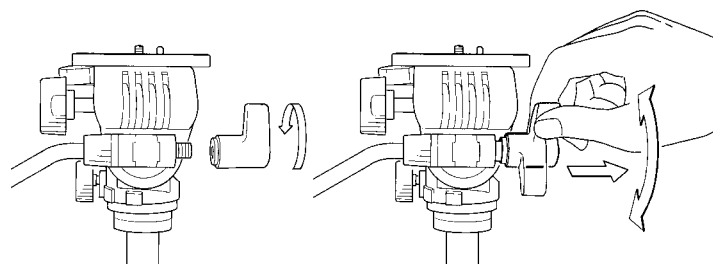
### ⚠ Caution

### ⊘ Prohibited



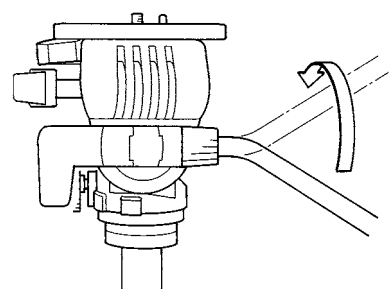
Carrying a tripod with a camera left on can result in unexpected accidents. We therefore, recommend you to remove your camera while carrying the tripod.

### Install the Pan & Tilt Handle



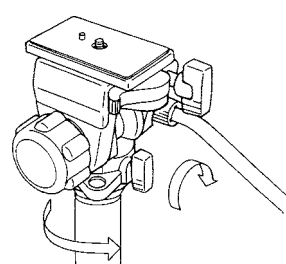
Please remove the Handle Lock Knob and then, insert Pan & Tilt Handle in the axis hole. Please tighten the Knob with your required angle. You can change the position of a fin part of the Knob if you pull it to the front.

### Replaced the Pan & Tilt Handle

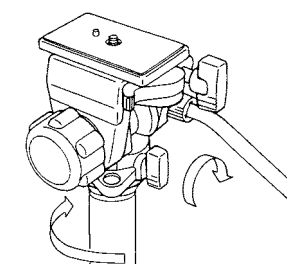


Pan & Tilt Handle can be changed to the left-hand if you reverse it. Please level the Vertical Tilt Lock Knob and then, insert Pan & Tilt Handle from the front. Screw a Handle in the Handle Lock Knob. Tighten the Handle Lock Knob in full by changing the position of a fin part of this knob when the end of screw thread comes.

### Removing the Head from the Center Column

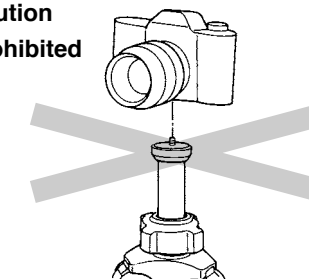


Use the following instructions if you wish to change heads, or attach accessories. First, lock the Panning Lock Knob, then grasp the Pan & Tilt Handle and turn the head, counter-clockwise to loosen.



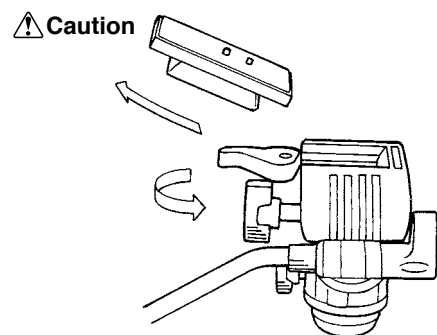
Set the new head, or accessory on the tripod's threaded post, and turn clockwise until it comes to a stop. Tighten the Panning Lock Knob and turn clockwise slightly more.

**Caution**  
**Prohibited**

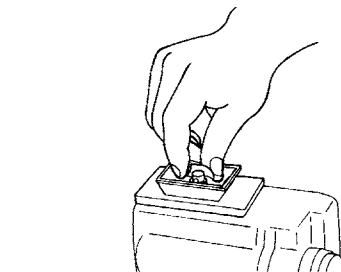


Do not attach camera directly to the threaded post of the Center Column. This may damage both camera and tripod.

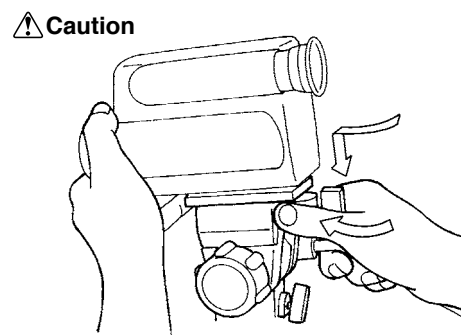
### Attaching the camera to the Quick Release Platform



Remove the Quick Release Platform turning the Lock lever.  
\*In this case, please do not put the Lock Lever back by force as it has been stood by the stopper.

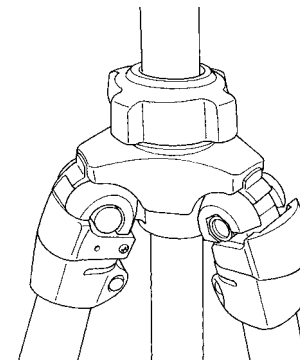


Please set the Camera Mounting Screw and the Retractable Camera Positioning Pin to holes at the camera side. Then, fix it with Mounting Wing Nut tightly.  
\*You can also use this tripod for your still camera as the Camera Positioning Pin is retractable.

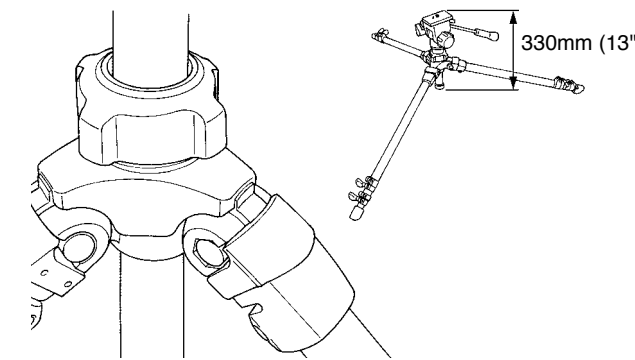


The Video camera should be attached from the front of the Quick Release Platform. The Lock lever should be locked surely to put the forwards, while it returns automatically.

### Three Position Adjustable Legs

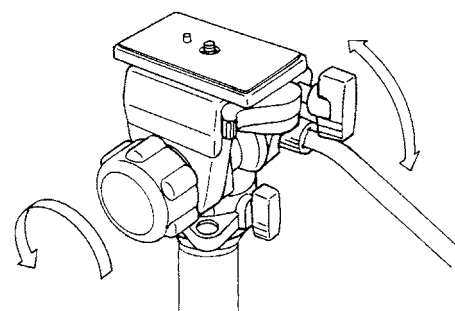


To change the angle of each leg, close the Leg slightly, and then pull the Leg Angle Adjustment Lock out. There is a choice of two other angle positions.

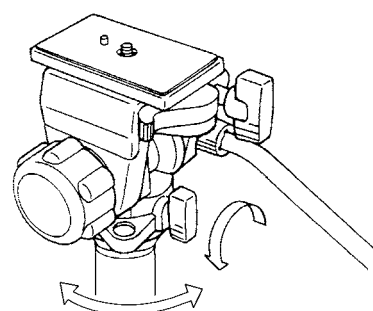


After choosing the desired leg angle, securely push in the Adjustment Lock.  
By using the optional short center column, you can obtain the lowest camera height of 330 mm (13").

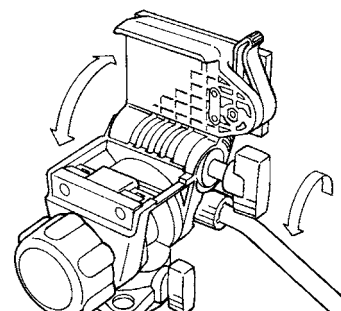
### Using the Pan Head



Loosen the Tilting Lock Knob, and the head will tilt back and forth.

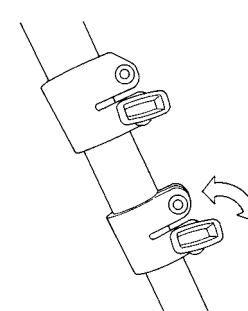


Loosen the Panning Lock Knob, and the head will rotate along the horizontal direction.



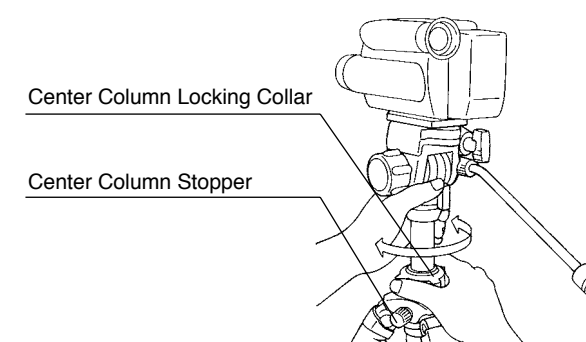
Loosen the Vertical Tilt Lock Knob, and the level can be adjusted.

### Extending the Tripod Legs



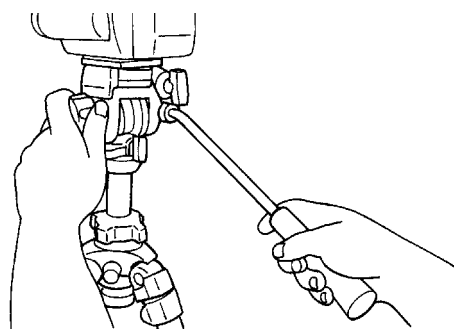
To extend, or shorten a leg, loosen the Leg Lock Knob by turning it counter-clockwise. Turn knob clockwise to tighten, at the desired height. Do not over tighten the Leg Lock Knob, as this may damage the leg tube.

### Using the Center Column



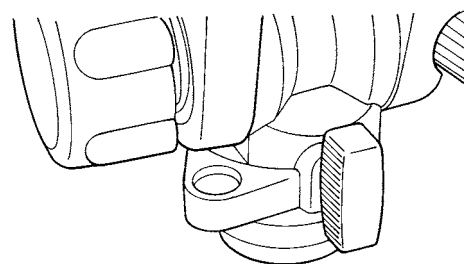
Hold onto the Pan Head with one hand, and loosen the Center Column Stopper and the Center Column Locking Collar with the other hand. Raise or lower Pan Head to desired height, and while maintaining a hold of the Pan Head, tighten the Locking Collar and the Stopper.

**Caution**



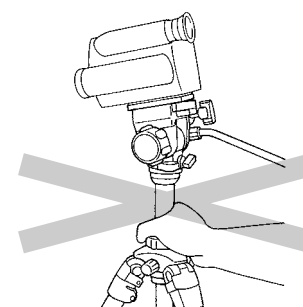
When loosening either the knobs, or the levers, take precaution by keeping a firm grip on the handle until the Pan Head is locked down.

### Bubble levels



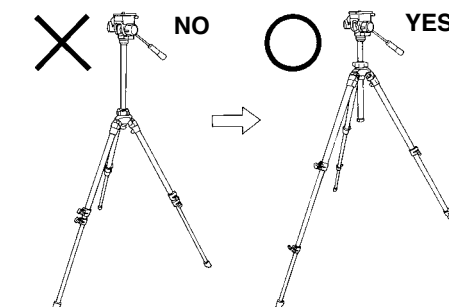
Bubble levels are built-in for vertical and horizontal positioning.

**Caution**  
**Prohibited**



You may injure your hand by a sudden fall, if you let go of Pan Head before locking the Collar. Turn the Locking Collar with your fingers on the side of the Collar.

**Caution**



To avoid unnecessary camera vibrations, try to keep the Center Column height to a minimum. Also use the larger legs first, when extending the legs.