

DAIWA DST-103

Operating Instructions

Congratulations on the purchase of a SLIK DST-103 Tripod. SLIK Corporation has designed your tripod to be a sturdy, rugged, dependable product that will provide you with many years of satisfactory use.

Please take a few moments to read this instruction sheet carefully so that you can take full advantage of many fine features on your tripod. Retain this instruction sheet in case you might want to refer back to it.

⚠ Caution

This caution icon refers to information pertaining to important safety procedures in preventing injuries, or damages which may occur as a result of mishandling this product.

🚫 Prohibition

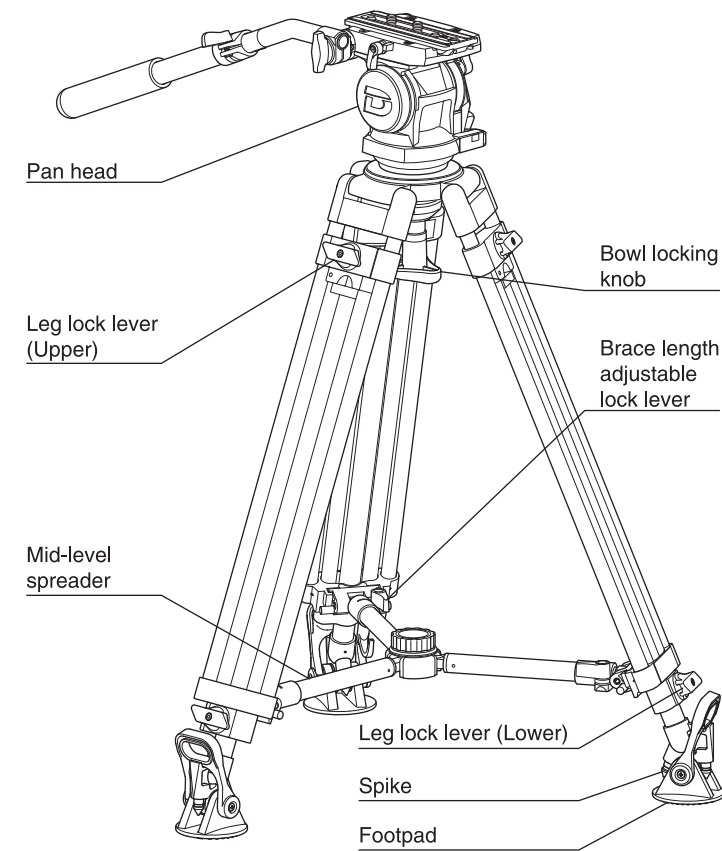
This prohibited icon refers to information pertaining to prohibited contents. Please refer to instructions closely to avoid accidents.

Specification

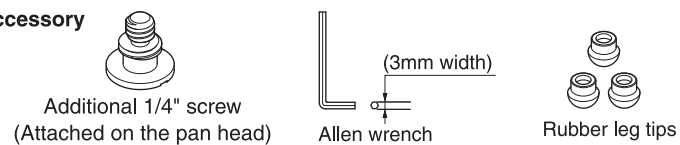
Load capacity	10 kg (22lbs)
Maximum height	1,632 mm (64 1/4")
Folded length	870 mm (34 3/8")
Minimum height	743 mm (24 3/8")
Ball base	100 mm (3 11/12")
Weight	6.54 kg (14lbs 7oz)
Tilt range	+83°/-90°

M796

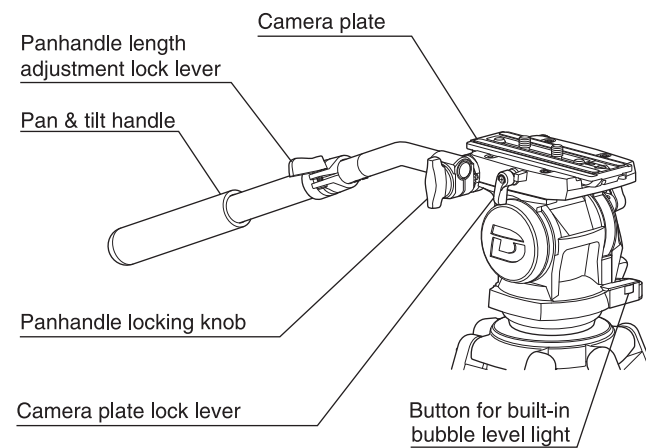
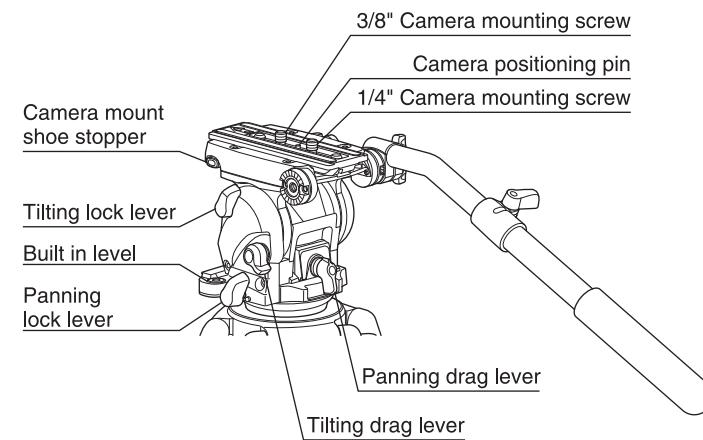
Components



Accessory



Pan head



Equipment that can be used with this tripod

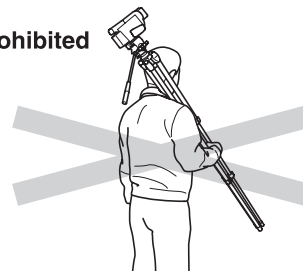
🚫 Prohibited

This product has been designed to handle equipment weighing under 10 kg (22 lbs). Do not overload.

Some equipment weighing under 10 kg (22 lbs), such as long lenses, may not balance well due to its weight distribution. In such case, please use a larger tripod.

Carrying the tripod

🚫 Prohibited



Carrying a tripod with a camera left on can result in unexpected accidents. We therefore, recommend you to remove your camera while carrying the tripod.

Attachment of a camera

⚠ Caution

Please check that the lock levers of a head part and the leg are locked exactly. If the lock is inadequate, there is a possibility that the camera is omitted and may be damaged.

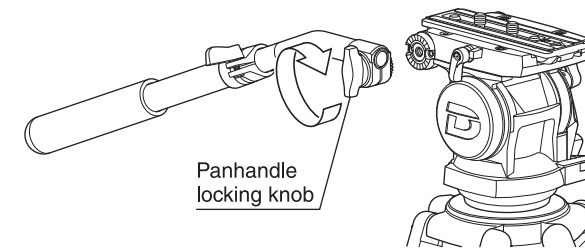
⚠ Caution

Please be sure to support the main part of the camera by hand until can check that the camera has certainly been locked.

⚠ Caution

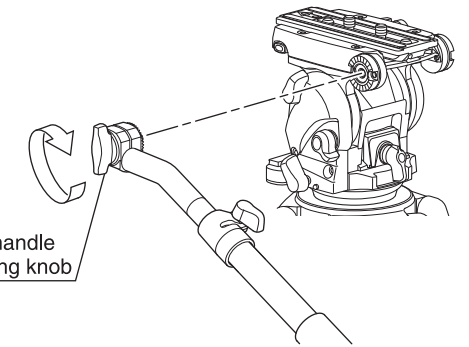
For fall breakage prevention of a camera, please extend a leg completely and use it in the stable place.

Install the pan & tilt handle



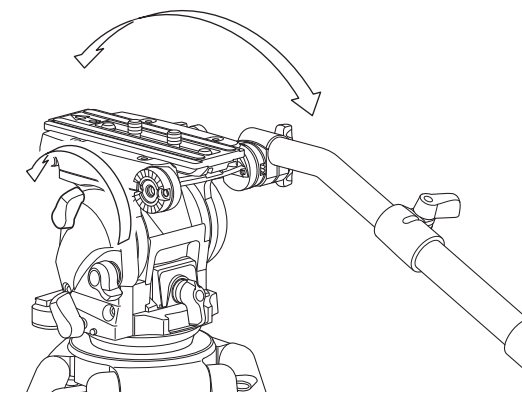
Thrust a pan & tilt handle lightly into the head side by the panhandle locking knob, and adjust to a favorite angle. Please thrust firmly and fix.

Attaching the pan & tilt handle

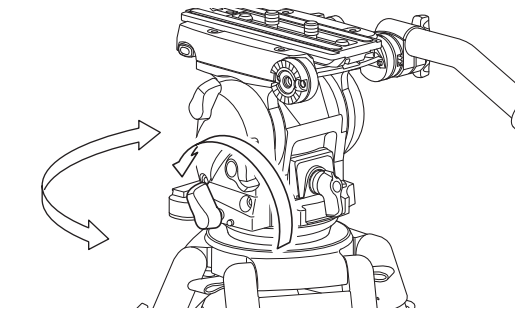


The pan & tilt handle can be attached on either the right or left side.

Using the pan head



Loosen the tilting lock lever, and the head will tilt back and forth.

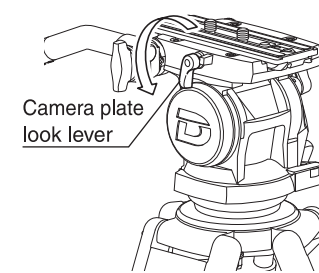


Loosen the panning lock lever, and the head will rotate along the horizontal direction.

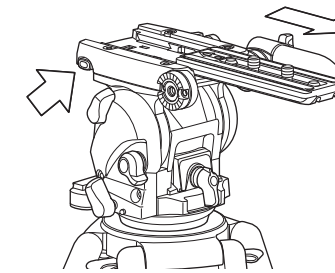
Note:

Since the panhead has the structure of a smooth feeling on operation, it looks sometimes standing. Please be sure to lock a tilting lock lever when you leave from your tripod.

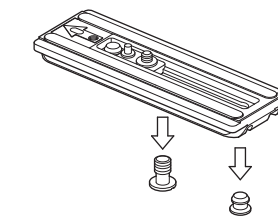
Mounting the camera to the camera plate



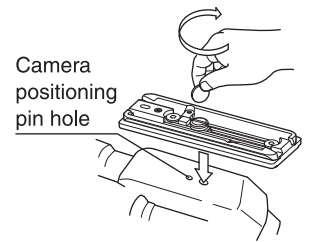
Tighten a tilt lock lever. Loosen a camera plate lock lever turning in the direction of an arrow.



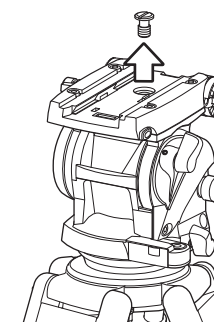
Please remove a camera shoe out behind the head, while pushing a camera mount shoe stopper.



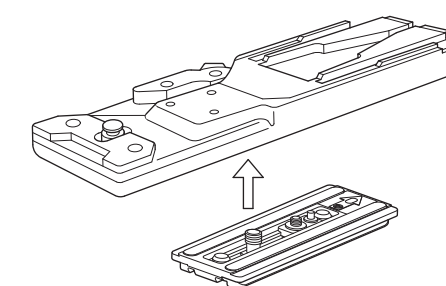
When a camera is attached to the quick release plate directly, the camera screw (3/8) must be removed from the quick release plate. To remove the camera screw (3/8), push out the rubber cap and slide out the camera screw (3/8).



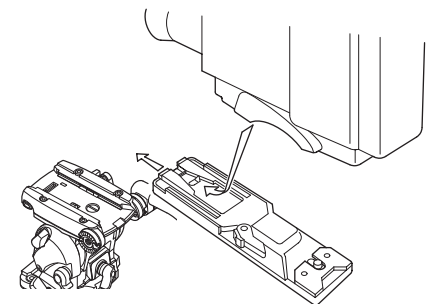
Attach the camera plate by matching it to a tripod mounting screw on your video camera. If your video camera has a camera alignment pin hole, match the camera alignment pin to it before screwing in the tripod mount screw. Tighten the tripod mount screw firmly after adjusting the position of the camera plate.



The camera screw, which can be used for a tripod adapter, etc., is attached. If needed, please attach it from the back of the long hole of a camera shoe.

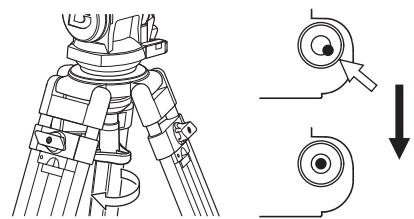


When a tripod adaptor is used, attach the tripod adaptor with the both screws. Tighten the tripod mount screw firmly after adjusting the position of the tripod adapter.



Please insert a camera shoe in a camera plate from the direction of an arrow to back pushing a shoe stopper. If a shoe stopper is released, a camera shoe stops releasing. Please fix a shoe lock lever in total in the good position of balance.

How to adjust the level of pan head



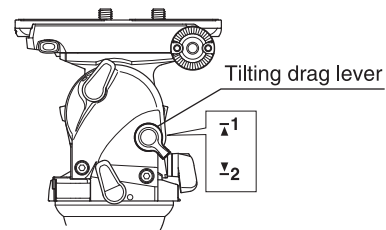
Adjust the level before putting the camera on the pan head.

- 1) Loosen the bowl locking knob and adjust the bubble in the level to fit into the red color mark, while shaking the pan head.
- 2) Tighten the bowl locking knob.

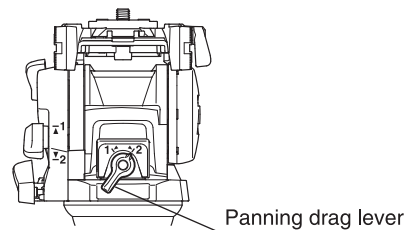
Remarks:

This is just rough aim and recommendable to test in advance before operating.

Drag adjustment

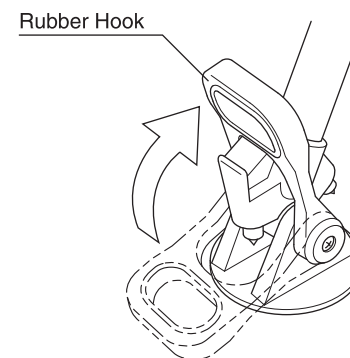


The tilting drag can be adjusted by the tilt drag lever. The position 1 has less drag than the position 2. In case the drag is not changed when the position has set to the position 2, move the panhandle to the tilt direction.



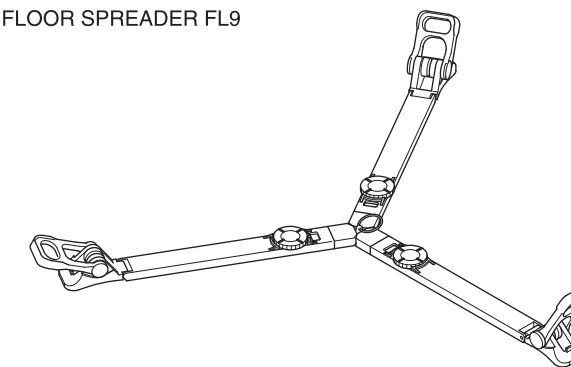
The panning drag can be adjusted by the tilt drag lever. The position 1 has less drag than the position 2. In case the drag is not changed when the position has set to the position 2, move the panhandle to the pan direction.

How to attach footpads and floor spreader



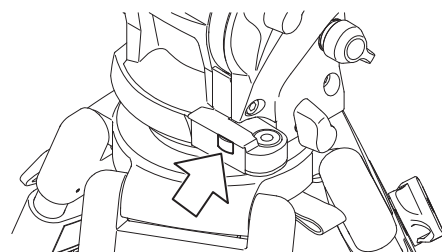
Put the spike of leg-tip on the roller of footpats and hook a rubber hook on the leg-tip.

FLOOR SPREADER FL9



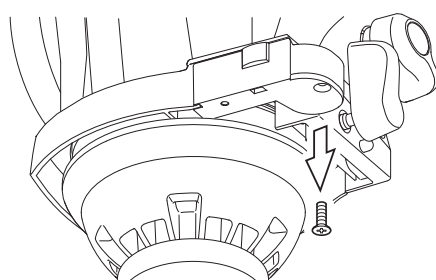
Please also attach a floor spreader in the same way.

LED lighting

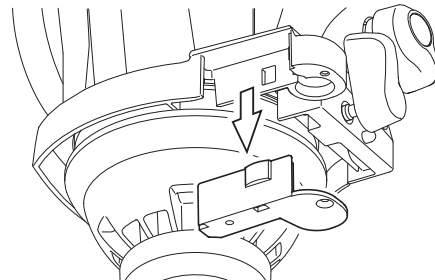


When the LED light button is pushed, a light in the level turns on for approximately 20 seconds. This will help when leveling the tripod in a dark place.

Install a battery

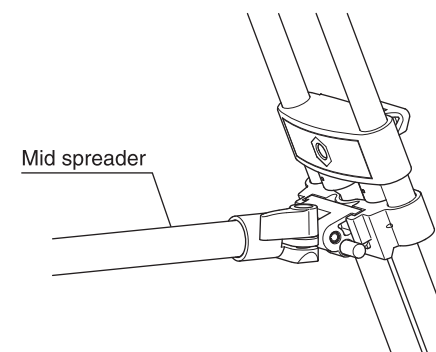


If the light is not brighten or getting darker, it is the time to replace the battery. Remove a screw on the bottom of the pan head.

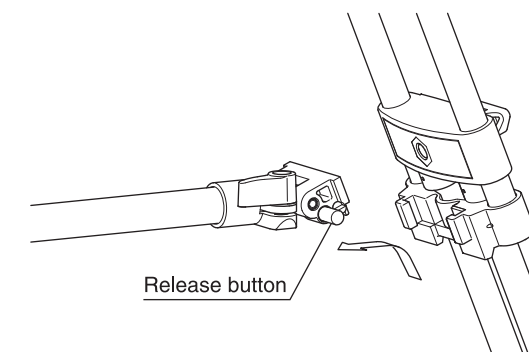


Pull out the LED unit but be careful not to pull out the unit by force, doing so may result breaking the unit.

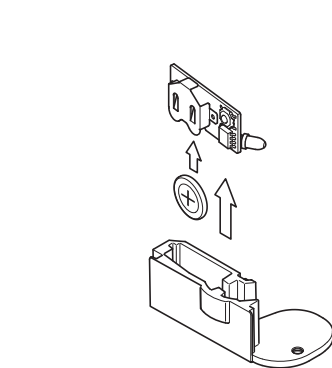
To remove mid-level spreader



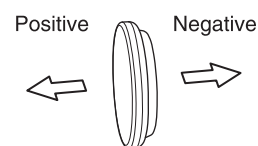
Remove the mid-level spreader when using the tripod with a dolly (sold separately).



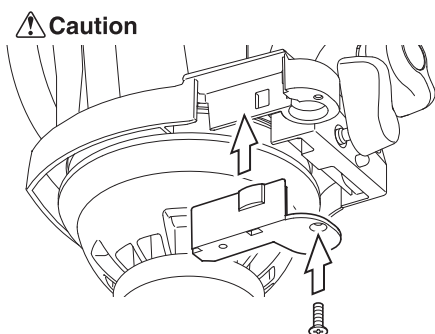
Push the release button of right and left in the tip part of a mid Level spreader, and remove the mid-level spreader sliding each attachment point in the direction of the arrow shown in this diagram. Do this to all legs to completely remove the spreader.



Install a battery model CR1220 with in the correct direction of the battery contacts.

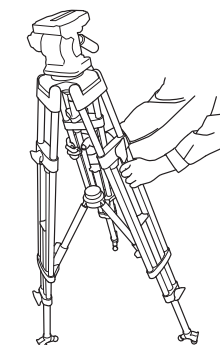


The battery must be a CR1220. The battery included with the unit may not last a long time.



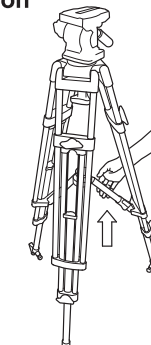
Caution
Re-confirm the battery properly installed. Put back the LED unit into the pan head and restore a screw.
If the LED light is not used for a long time, remove a battery from the LED unit.

How to open and close the tripod legs



Holding two legs, one in each hand, tilt the tripod on its third leg. Pull the tow legs you are holding outward, and all three legs will open at once.

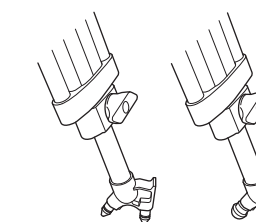
Caution



To close the legs, be sure to first raise the leg brace up slightly, and then push the legs close. In this case, please take care of your fingers.

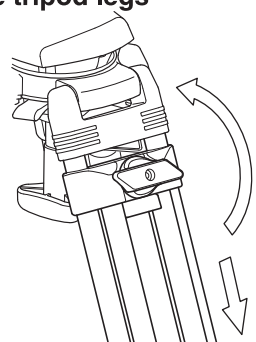
Choice of rubber or spike leg tips

Caution

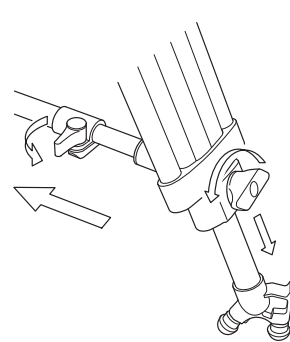


Spike tips are useful outdoors especially on loose grounds or on rocky terrain. Rubber leg tips are recommended for indoor works.
To use the spikes, turn the rubber tips clockwise several times until they stops.
To get the rubber tips back into the position, just turn it counterclockwise.

Extending the tripod legs



Loosen the Leg lock lever (Upper) to extend or shorten.



Loosen the Leg lock lever (Lower) to extend or shorten.
Loosen the brace length adjustable lock lever to extend or shorten.

Care of the tripod

- DO NOT apply any grease or oil to this product.
- Clean with a mild detergent and a soft cloth only.
- DO NOT use close to flame. Avoid extreme heat.



Slik Corporation reserves the right to make changes in design and/or improvements on the products without any obligation and advanced notice.

SLIK CORPORATION
853 Kayama, Hidaka City, Saitama 350-1231, Japan Phone 81-429-89-2141 Fax. 81-42-985-0210 ©2011