

# DAIWA DST-43

## Operating Instructions

Congratulations on the purchase of a SLIK DST-43 Tripod. SLIK Corporation has designed your tripod to be a sturdy, rugged, dependable product that will provide you with many years of satisfactory use.

Please take a few moments to read this instruction sheet carefully so that you can take full advantage of many fine features on your tripod. Retain this instruction sheet in case you might want to refer back to it.

### ⚠ Caution

This caution icon refers to information pertaining to important safety procedures in preventing injuries, or damages which may occur as a result of mishandling this product.

### 🚫 Prohibition

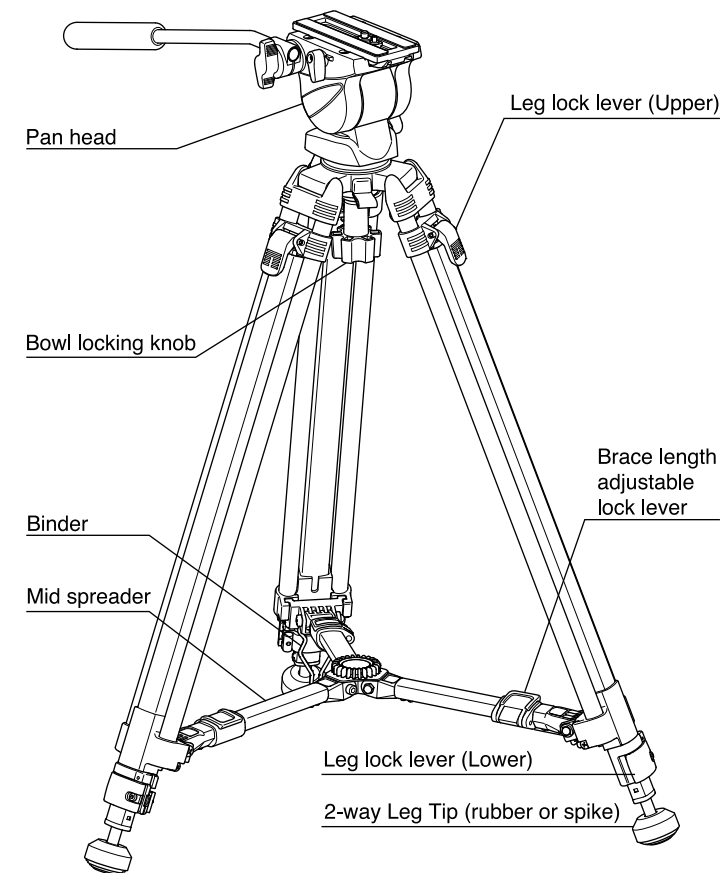
This prohibited icon refers to information pertaining to prohibited contents. Please refer to instructions closely to avoid accidents.

## Specification

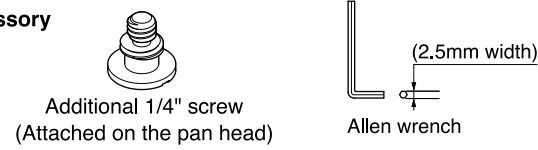
Load capacity	4 kg (8lbs 13oz)
Maximum height	1,508 mm (59 1/3")
Folded length	760 mm (29 11/12")
Minimum height	676 mm (26 5/8")
Ball base	60 mm (2 3/8")
Weight	3.23 kg (7lbs 2oz)
Tilt range	+90°/-80°

M679

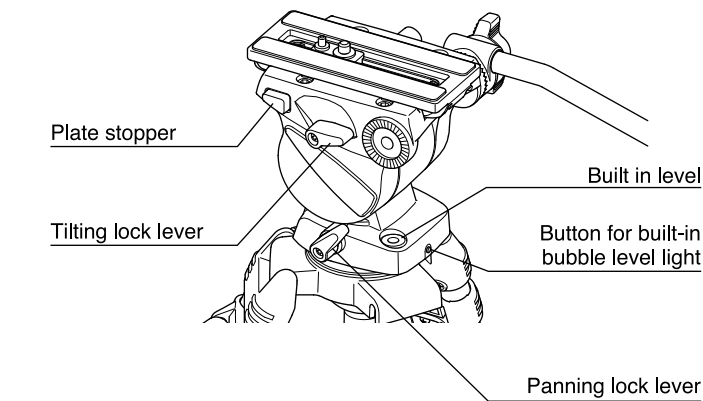
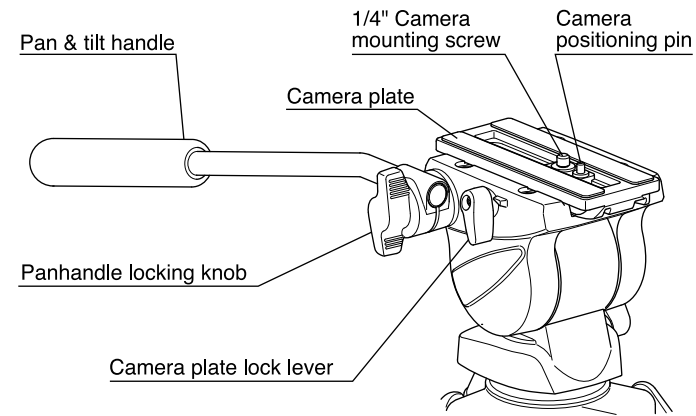
## Components



### Accessory



## Pan head



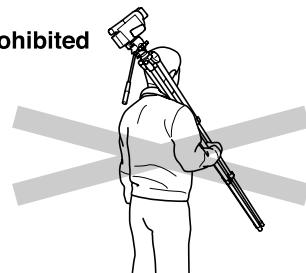
## Equipment that can be used with this tripod

### 🚫 Prohibited

This product has been designed to handle equipment weighing under 4 kgs (8 lbs 13oz). Do not overload. Some equipment weighing under 4 kgs (8 lbs 13oz), such as long lenses, may not balance well due to its weight distribution. In such case, please use a larger tripod.

## Carrying the tripod

### 🚫 Prohibited



Carrying a tripod with a camera left on can result in unexpected accidents. We therefore, recommend you to remove your camera while carrying the tripod.

## Attachment of a camera

### ⚠ Caution

Please check that the lock levers of a head part and the leg are locked exactly. If the lock is inadequate, there is a possibility that the camera is omitted and may be damaged.

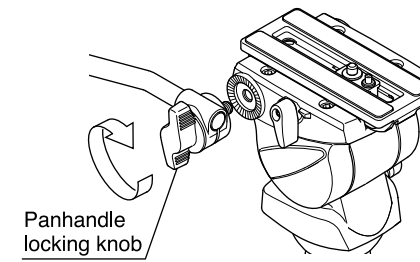
### ⚠ Caution

Please be sure to support the main part of the camera by hand until can check that the camera has certainly been locked.

### ⚠ Caution

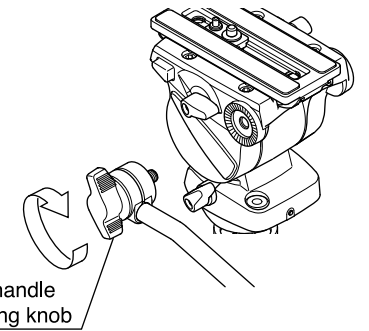
For fall breakage prevention of a camera, please extend a leg completely and use it in the stable place.

## Install the pan & tilt handle



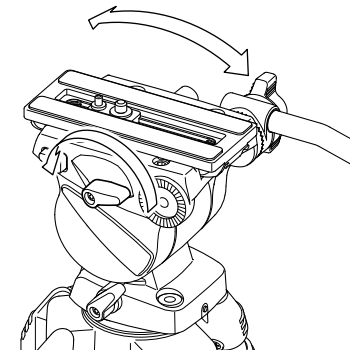
Thrust a pan & tilt handle lightly into the head side by the panhandle locking knob, and adjust to a favorite angle. Please thrust firmly and fix.

## Attaching the pan & tilt handle

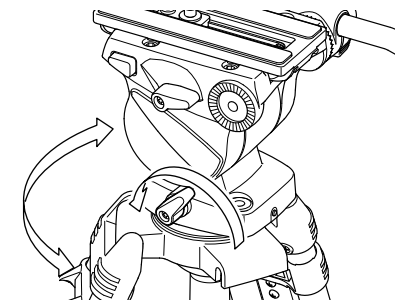


The pan & tilt handle can be attached on either the right or left side.

## Using the pan head



Loosen the tilting lock lever, and the head will tilt back and forth.

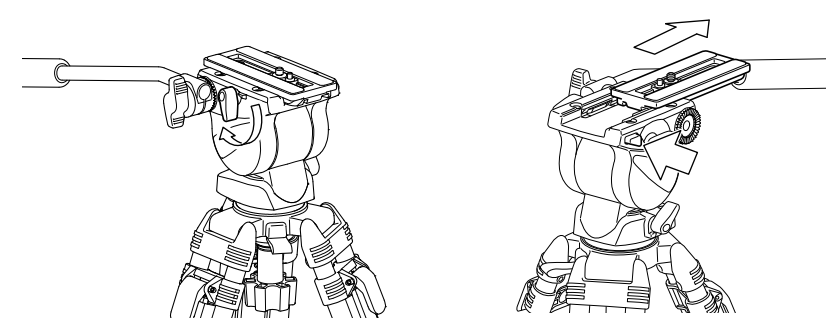


Loosen the panning lock knob, and the head will rotate along the horizontal direction.

### Note:

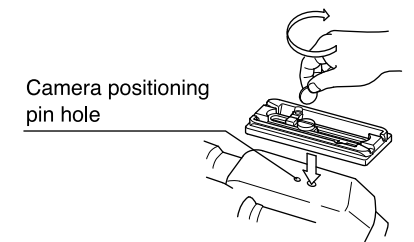
Since the panhead has the structure of a smooth feeling on operation, it looks sometimes standing. Please be sure to lock a tilting lock lever when you leave from your tripod.

## Mounting the camera to the camera plate

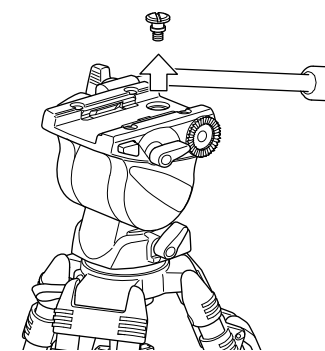


Tighten a tilt lock lever. Loosen a shoe lock lever turning in the direction of an arrow.

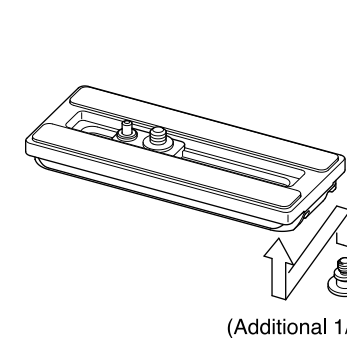
Please remove a camera shoe out behind the head, while pushing a shoe stopper.



Attach the camera plate by matching it to a tripod mounting screw on the your video camera. If you video camera has a camera alignment pin hole, match the camera alignment pin to it before screwing in the tripod mount screw. Tighten the tripod mount screw firmly after adjusting the position of the camera plate.

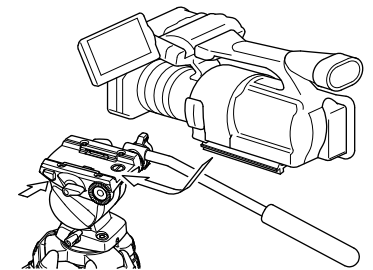


The camera screw, which can be used for a tripod adapter, etc., is attached.



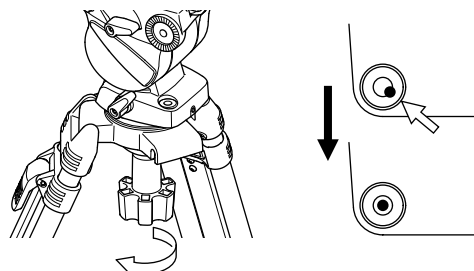
(Additional 1/4" screw)

If needed, please attach it from the back of the long hole of a camera shoe.



Please insert a camera shoe in a camera plate from the direction of an arrow to back pushing a shoe stopper. If a shoe stopper is released, a camera shoe stops releasing. Please fix a shoe lock lever in total in the good position of balance.

## How to adjust the level of pan head



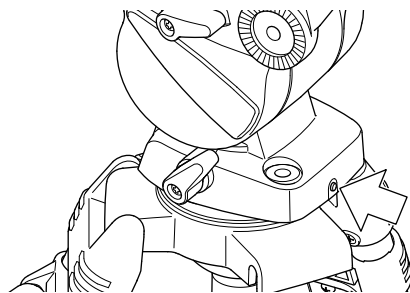
Adjust the level before putting the camera on the pan head.

- 1) Loosen the bowl locking knob and adjust the bubble in the level to fit into the red color mark, while shaking the pan head.
- 2) Tighten the bowl locking knob.

Remarks:

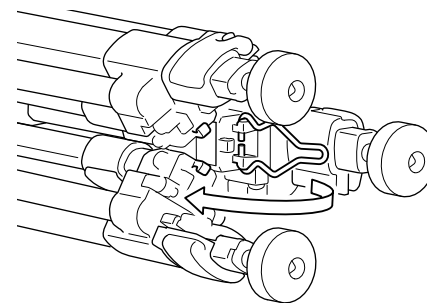
This is just rough aim and recommendable to test in advance before operating.

## LED lighting

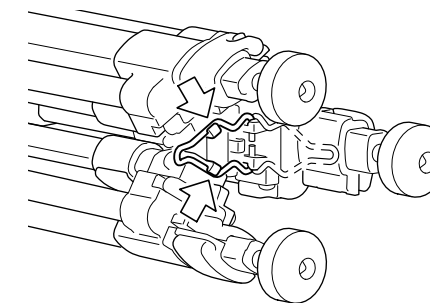


When the LED light button is pushed, a light in the level turns on for approximately 20 seconds. This will help when leveling the tripod in a dark place. A battery is not installed when new, first install the battery as instructed below.

## How to use a binder

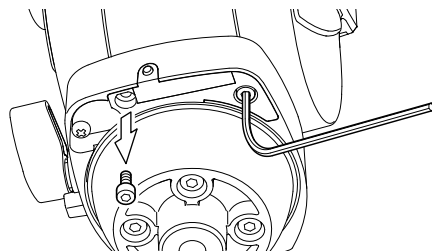


The legs can be locked in the closed position by using the metal hook behind the middle stage.

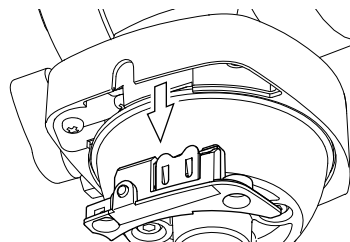


Make sure the hook is locked firmly.

## Install a battery

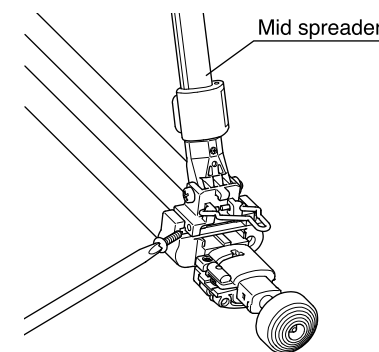


Remove the 2 hex screws on the bottom of the pan head with the included Allen wrench.

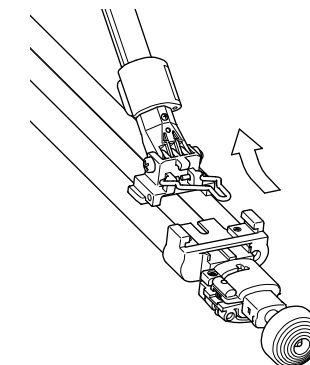


Pull out the LED unit but be careful not to pull out the unit by force, doing so may result breaking the unit.

## To remove mid spreader

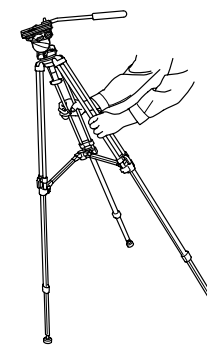


Remove the mid-level spreader when using the tripod with a dolly (sold separately).

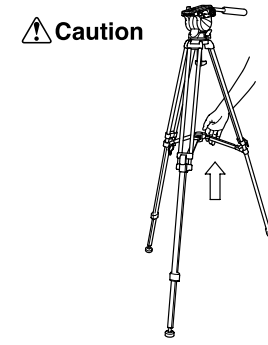


Remove the mid-level spreader sliding each attachment point in the direction of the arrow shown in this diagram. Do this to all legs to completely remove the spreader.

## How to open and close the tripod legs

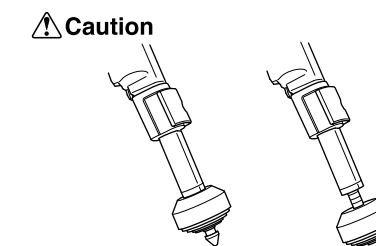


Holding two legs, one in each hand, tilt the tripod on its third leg. Pull the two legs you are holding outward, and all three legs will open at once.



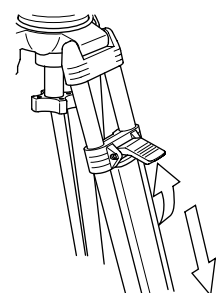
**Caution**  
To close the legs, be sure to first raise the leg brace up slightly, and then push the legs close. In this case, please take care of your fingers.

## Choice of rubber or spike leg tips

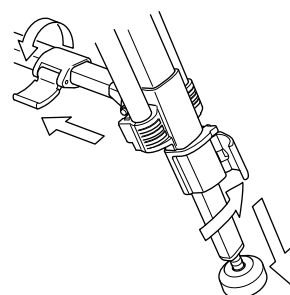


**Caution**  
Spike tips are useful outdoors especially on loose grounds or on rocky terrain. Rubber leg tips are recommended for indoor works. To use the spikes, turn the rubber tips clockwise several times until they stop. To get the rubber tips back into the position, just turn it counterclockwise.

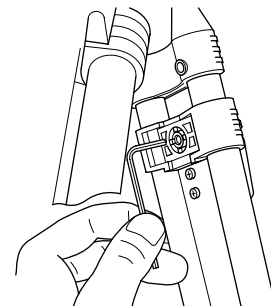
## Extending the tripod legs



Flip up the Leg lock lever (Upper) to extend or shorten.



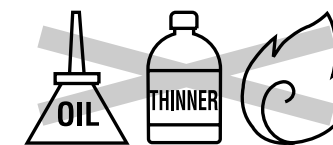
Loosen the Leg lock lever (Lower) to extend or shorten. Loosen the brace length adjustable lock lever to extend or shorten.



The strength of a lever can be adjusted using an attached Allen wrench (2.5mm width) in the reverse-side of Leg lock lever (Upper).

## Care of the tripod

- DO NOT apply any grease or oil to this product.
- Clean with a mild detergent and a soft cloth only.
- DO NOT use close to flame. Avoid extreme heat.



Slik Corporation reserves the right to make changes in design and/or improvements on the products without any obligation and advanced notice.

SLIK CORPORATION  
853 Kayama, Hidaka City, Saitama 350-1231, Japan Phone 81-429-89-2141 Fax. 81-42-985-0210 ©2010

Printed in Japan.