

Operating Instructions

Thank you very much for choosing SLIK LIGHTY POD DQ. The SLIK Corporation has designed your Monopod to be a sturdy, rugged, dependable product that will provide you with many years of satisfactory use. Please take a few moments to read these operating instructions carefully before use so that you can take full advantage of your Monopod many fine features. Retain this operating instruction in case you might want to refer back to it.

⚠ Caution

This caution icon refers to information pertaining to important safety procedures in preventing injuries, or damages which may occur as a result of mishandling this product.

🚫 Prohibition

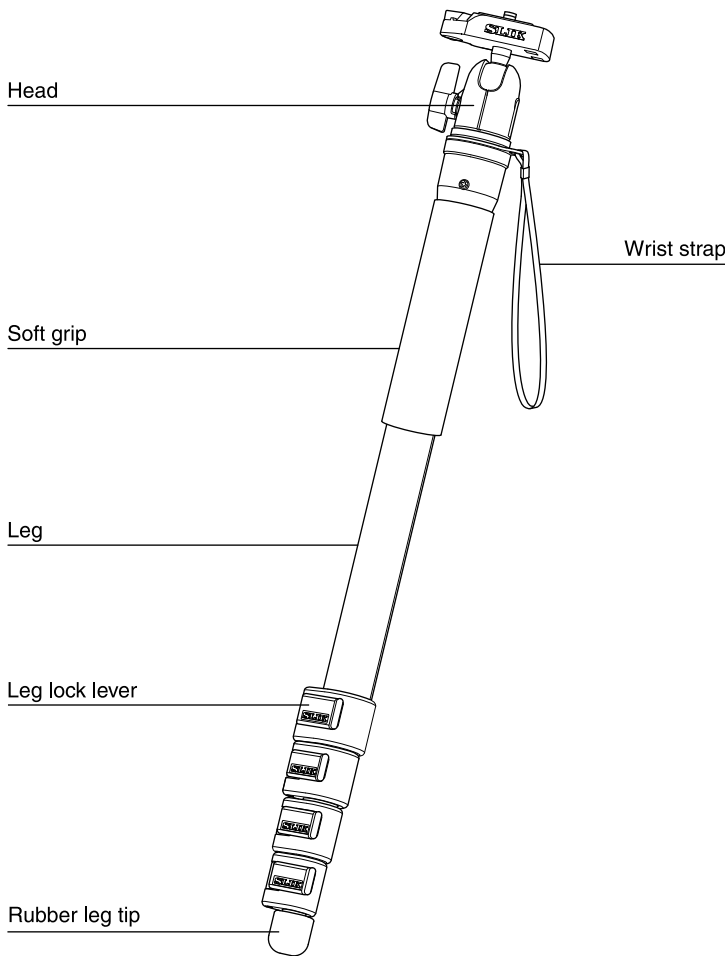
This prohibited icon refers to information pertaining to prohibited contents. Please refer to instructions closely to avoid accidents.

Specification

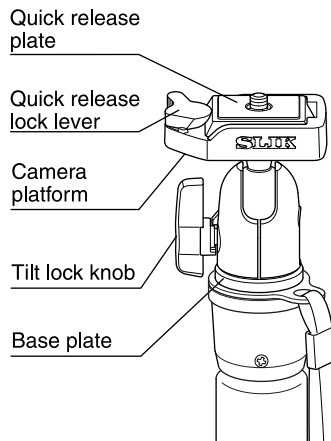
| | |
|-----------------------|-----------------------|
| Folded length | 530 mm (20 11/12") |
| Max. operating height | 1,615 mm (63 1/2") |
| Weight | 490g (1lbs 2oz) |

L156

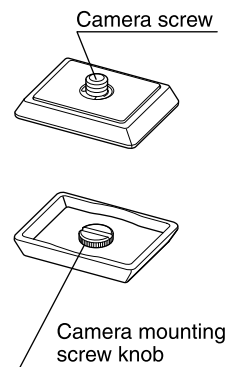
Components



Head



Quick release plate



Carrying the tripod

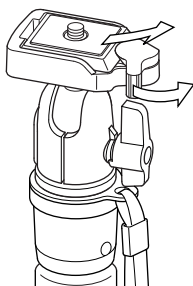
🚫 Prohibition



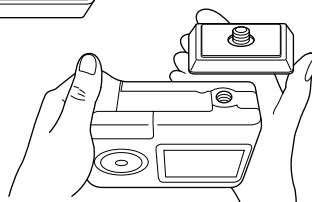
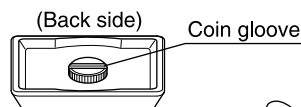
Carrying a monopod with a camera left on can result in unexpected accidents. We therefore, recommend that you remove your camera when carrying the monopod.

Attaching the camera to the Quick release platform

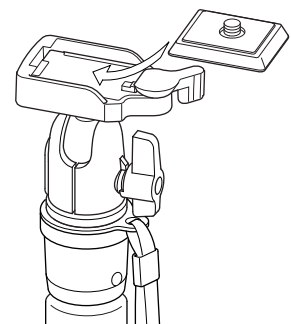
⚠ Caution



To remove the Quick release plate, turn the Quick release plate lock lever. In this case do not put the lock lever back by force as it has been stood by the stopper.

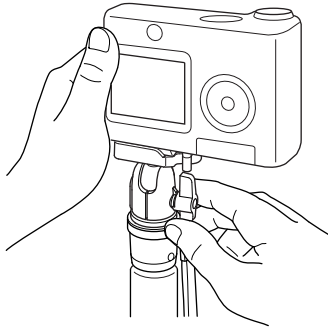


Insert the Camera mounting screw on the Quick release plate in the place of the tripod attachment screw of your camera. Turn the Camera mounting screw knob and fix firmly.



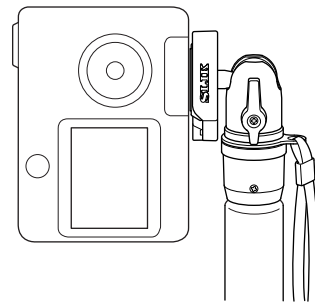
To attach the plate, slide into Quick release plate slantways. It will be closed automatically after attaching. Fasten the plate lock lever tightly. It must be certainly locked.

Using the pan head



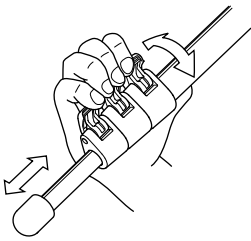
While you are holding the camera, loosen the Tilt lock knob. You can move Camera platform and Base plate freely.

(The example of vertical position photography)



Note: For vertical photos the Camera platform can be tilted 90 degrees in either direction.

Extending the leg



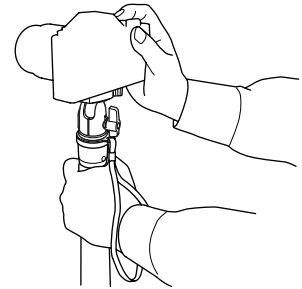
Flip up the Speed release leg locks on the leg to be adjusted. Extend the leg to the desired length. Since the Speed release leg locks are aligned, they can be opened simultaneously for fast set-up. To lock leg in place, press down the Speed release leg locks until they are flush against the leg.



You'll be glad to know the round tube design of your monopod's leg are made for maximum strength. This prevents twisting and provides excellent torsional rigidity.

Wrist strap

Caution



The Wrist strap rotates freely. As a safety measure it is advisable to hold the camera through the Wrist strap.

Note

Care of the tripod

- DO NOT apply any grease or oil to this product.
- Clean with a mild detergent and a soft cloth only.
- DO NOT use close to flame. Avoid extreme heat.



Slik Corporation reserves the right to make changes in design and/or improvements on the products without any obligation and advanced notice.

SLIK CORPORATION

853 Kayama, Hidaka City, Saitama 350-1231, Japan Phone 81-42-989-2141, Fax. 81-42-985-0210 ©2009

Printed in Thailand