

Operating Instructions

Thank you very much for choosing SLIK MONOPOD 350AF. SLIK Corporation has designed your tripod to be a sturdy, rugged, dependable product that will provide you with many years of satisfactory use.

Please take a few moments to read this operating instruction carefully before use so that you can take full advantage of your Tripod's many fine features.

Retain this operating instruction in case you might want to refer back to it.

⚠ Caution

This caution icon refers to information pertaining to important safety procedures in preventing injuries, and damages which may occur as a result of mishandling this product.

🚫 Prohibited

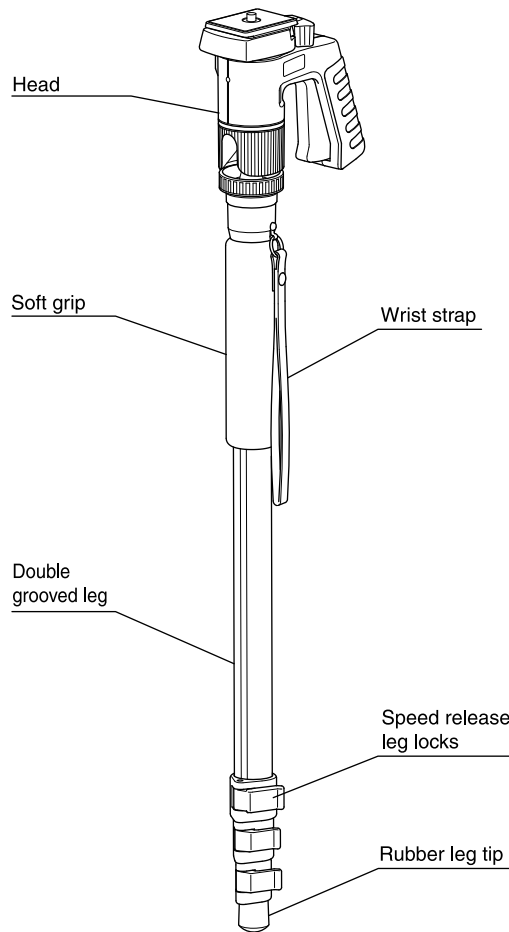
This prohibited icon refers to information pertaining to prohibited contents. Please refer to instructions closely to avoid accidents.

Specification

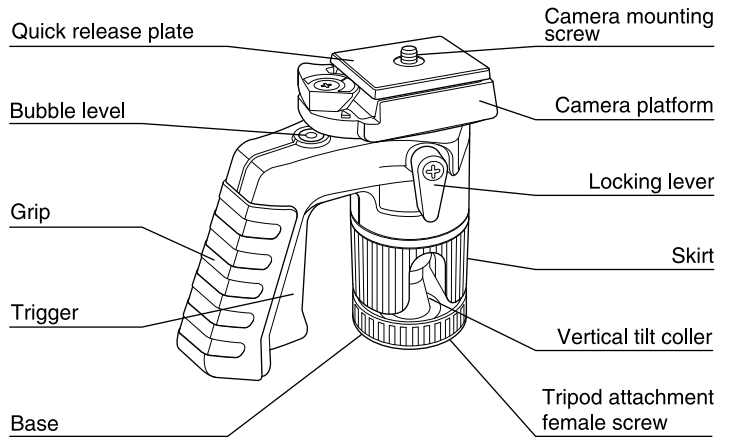
Max. operating height	1,725mm (67" 5/6)
Length folded	635mm (25")
Weight	890g (2 lbs)

J989

Components



Head



Equipment that can be used with this Tripod

This product has been designed to handle equipment weighing under 1.5kgs (3 lbs 5 oz). Do not overload. Some equipments weighing over 1.5kgs (3 lbs 5 oz), such as long lenses, may not balance well due to its weight distribution. In such case, please use a larger tripod.

Carrying the monopod

🚫 Prohibited

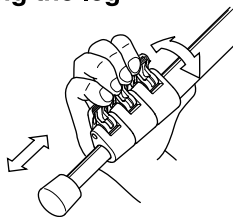


Carrying a monopod with a camera left on can result in unexpected accidents. We therefore, recommend that you remove your camera when carrying the monopod.

⚠ Caution

Soft Grip is consumption and cannot be used permanently. Please replace it whenever ragged.

Extending the leg



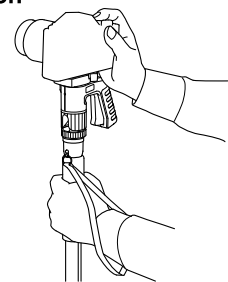
Flip up the Speed release leg locks on the leg to be adjusted. Extend the leg to the desired length. Since the Speed release leg locks are aligned, they can be opened simultaneously for fast set-up. To lock leg in place, press down the Speed release leg locks until they are flush against the leg.



You'll be glad to know the round tube design of your monopod's leg are made for maximum strength. This prevents twisting and provides excellent torsional rigidity.

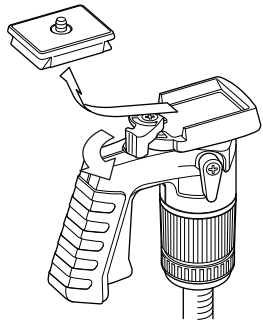
Wrist strap

⚠ Caution



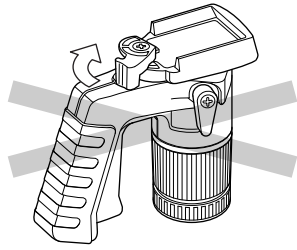
The Wrist strap rotates freely. As a safety measure it is advisable to hold the camera through the Wrist strap.

Attaching the camera to the Quick release plate

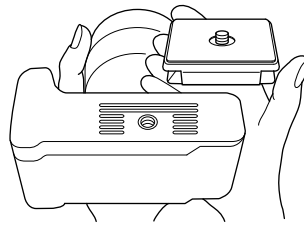


Remove the Quick release plate turning the lock lever.

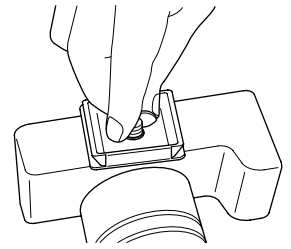
⊘ Prohibition



In this case, please do not put the Lock Lever back by force as it has been stood by the Stopper.

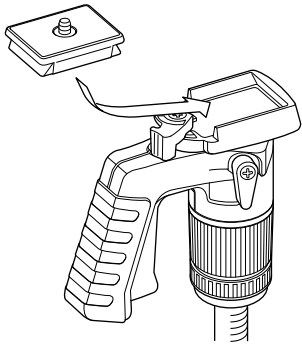


Insert the Camera mounting screw of the Plate in the place of the tripod attachment screw of your camera.

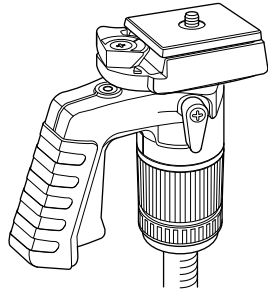


Turn the Camera mounting screw knob and fix firmly.

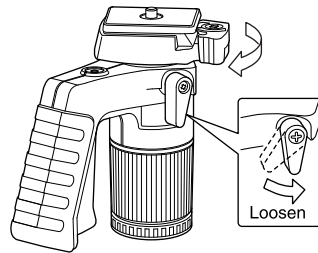
Using the head



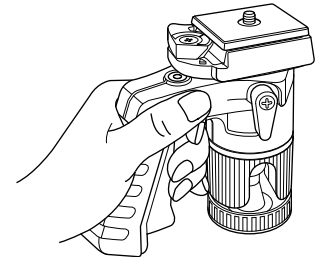
Attach the plate slant aslant from the Plate locking lever. It will be closed automatically after attaching.



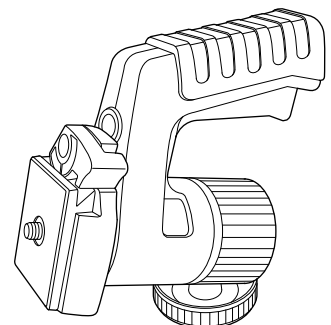
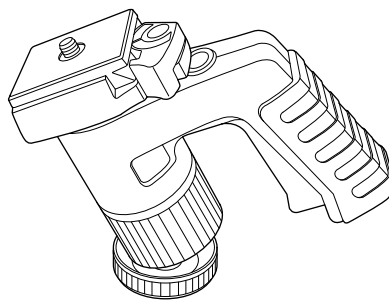
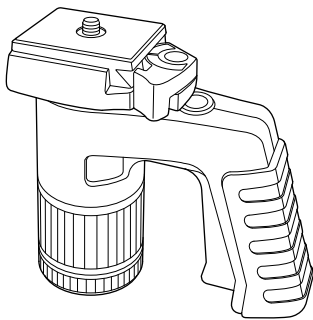
Fasten the plate locking lever to the side of lever fixation. It will be certainly fixed.



The Camera platform rotates when the Camera platform locking lever is loosened in the direction of the arrow.



It moves when the Grip is grasped, and pull the Trigger. The Skirt also rotates. If the Trigger is released, it locks.



The ball head can be inclined up to 90 degrees to the direction of the Skirt of U-ditch. You can get any angles if you use the rotation of the Skirt and the Camera platform.

Care of the Monopod

- DO NOT apply any grease or oil to this product.
- Clean with a mild detergent and a soft cloth only.
- DO NOT use close to flame. Avoid extreme heat.



Slik Corporation reserves the right to make changes in design and/or improvements on the products without any obligation and advanced notice.

SLIK CORPORATION

853 Kayama, Hidaka City, Saitama 350-1231 Japan Phone 81-42-989-2141, Fax. 81-42-985-0210 ©2006

Printed in Thailand