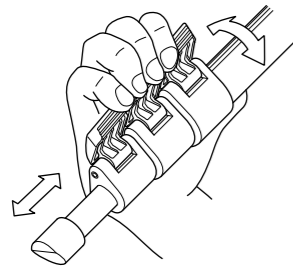


Extending the tripod legs

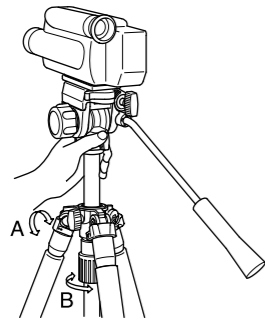


Flip up the leg lock lever to extend or shorten any of the individual leg sections to the desired length and press the leg lock lever flush against the leg to lock.

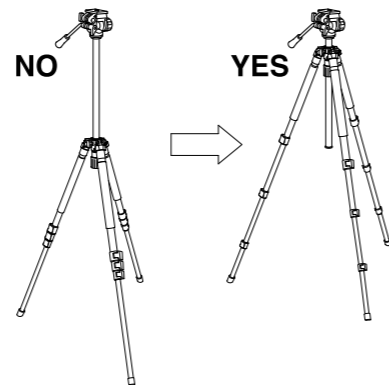


It is easier to extend the tripod legs if you turn the leg-tips to the foot, while leaving legs close.

Operating the center column

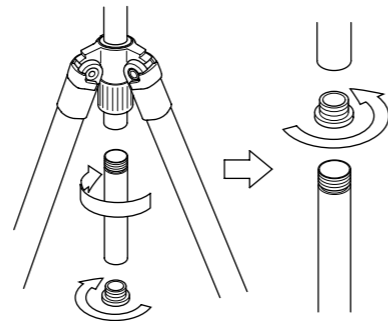
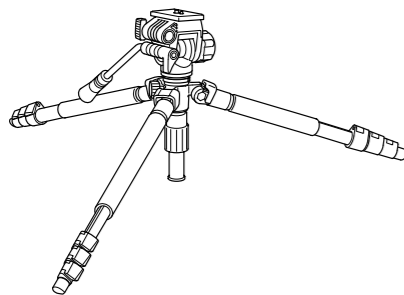


A - Screw-type
Center column stopper is used to lock or unlock center column.
B - Twist-type
Center column locking nut is used to adjust a tension of the movement.
The both of A and B must be locked for fixing center column.



To avoid unnecessary camera vibrations, try to keep the center column height to a minimum.
Also use the larger legs first when extending the legs.

How to get low position shots



Remove the center column base stopper and then, remove the lower part of center column.
Put the center column base stopper on the upper part of center column.

Care of the tripod

- DO NOT apply any grease or oil to this product.
- Clean with a mild detergent and a soft cloth only.
- DO NOT use close to flame. Avoid extreme heat.



Slik Corporation reserves the right to make changes in design and/or improvements on the products without any obligation and advanced notice.

SLIK CORPORATION
853 Kayama, Hidaka City, Saitama 350-1231 Japan Phone 81-42-989-2141, Fax. 81-42-985-0210 ©2010

Printed in Thailand

SLIK®

PRO 340QF Tripod

Operating Instructions

Thank you very much for choosing SLIK PRO 300 SERIES Tripod. The SLIK Corporation has designed your tripod to be a sturdy, rugged, dependable product that will provide you with many years of satisfactory use.

Please take a few moments to read this operating instruction carefully before use so that you can take full advantage of your tripod's many fine features.

Retain this operating instruction in case you might want to refer back to it.

⚠ Caution

This caution icon refers to information pertaining to important safety procedures in preventing injuries, or damages which may occur as a result of mishandling this product.

🚫 Prohibition

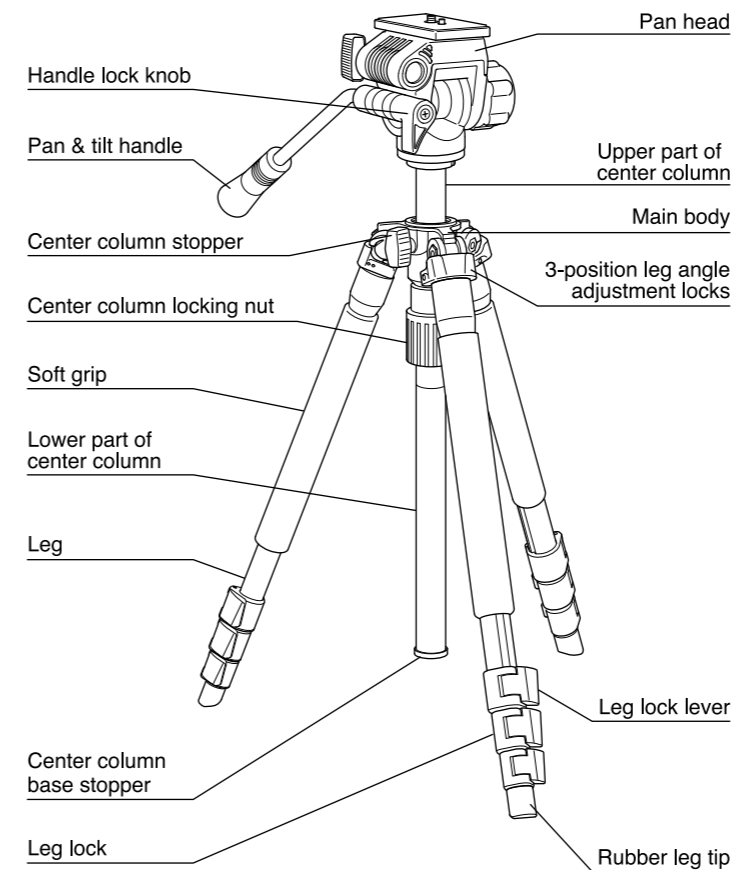
This prohibited icon refers to information pertaining to prohibited contents. Please refer to instructions closely to avoid accidents.

Specification

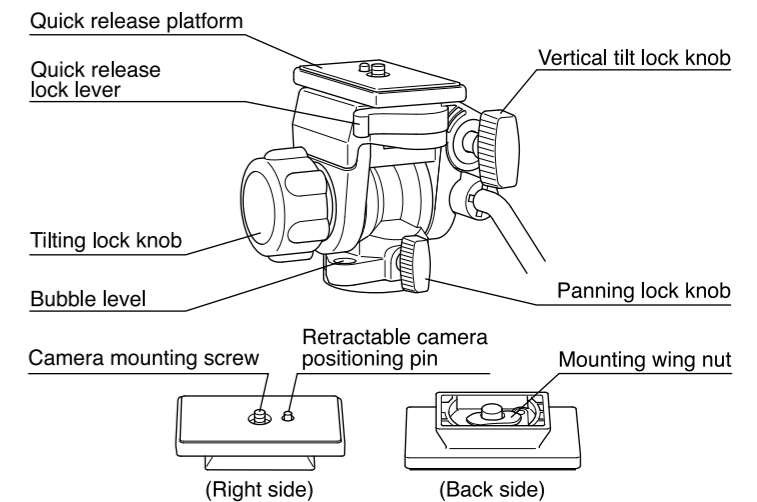
Max. operating height	1,455 mm (57 1/4")
Folded length	530 mm (20 7/8")
Max. center column ext.	290 mm (11 5/12")
Weight	1,780 g (3lbs 15oz)
Tripod attachment female screw	(1/4" &/or 3/8")

M455-1

Components

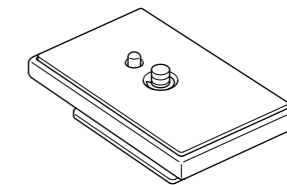


Pan head



Options

QUICK RELEASE PLATFORM
Cat. No. 618-735



Equipment that can be loaded on this tripod

🚫 Prohibition

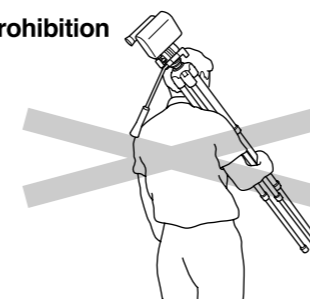
This product has been designed to handle equipment weighing under 3 kgs (6 lbs 9 oz). Do not overload. Some equipments weighing under 3 kgs (6 lbs 9 oz), such as long lenses, may not balance well due to its weight distribution. In such case, please use a larger tripod.

⚠ Caution

Soft grip is consumption and cannot be used permanently. Please replace it whenever ragged.

Carrying the tripod

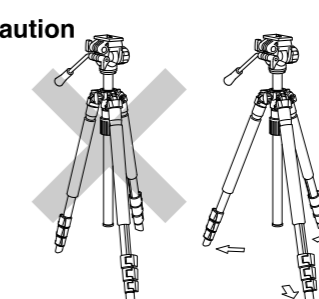
🚫 Prohibition



Carrying a tripod with a camera left on can result in unexpected accidents. We therefore, recommend you to remove your camera while carrying the tripod.

Setting up

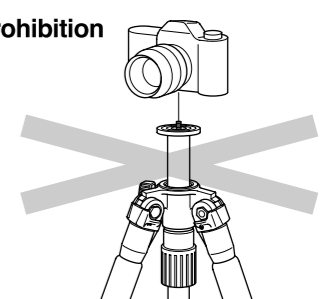
⚠ Caution



To prevent accidental equipment fall or tripod tipping over, making sure all levers, knobs and handles on the tripod are securely tightened. And all of the three legs are opened all the way.

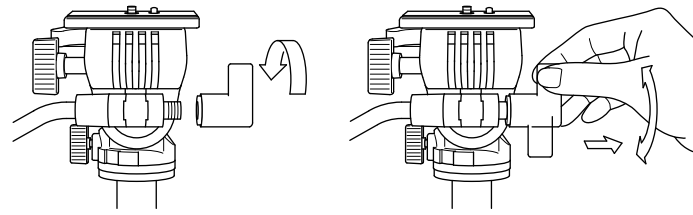
Pan head mounting post

🚫 Prohibition



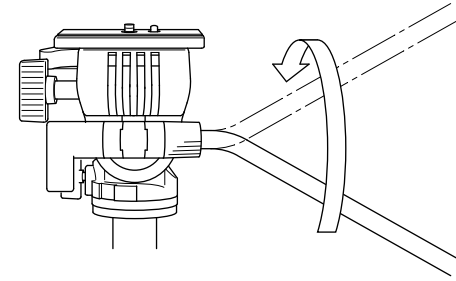
Do not attach a camera directly to the pan head attachment screw. This may damage both your camera and tripod.

Install the pan & tilt handle



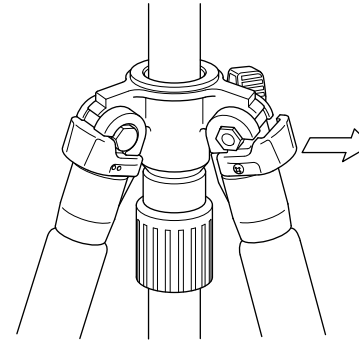
Please remove the handle lock knob and then, insert pan & tilt handle in the axis hole. Please tighten the knob with your required angle. You can change the position of a fin part of the knob if you pull it to the front.

Replaced the pan & tilt handle

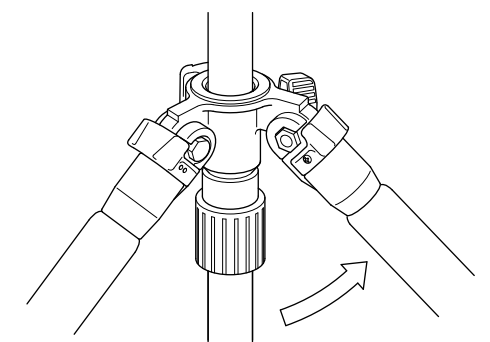


Pan & tilt handle can be changed to the left-hand if you reverse it. Please level the vertical tilt lock knob and then, insert pan & tilt handle from the front. Screw a handle in the handle lock knob. Tighten the handle lock knob in full by changing the position of a fin part of this knob when the end of screw thread comes.

Three position adjustable legs



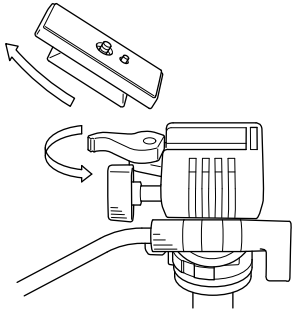
To change the angle of each leg, close the leg slightly, and then pull the leg angle adjustment lock out.



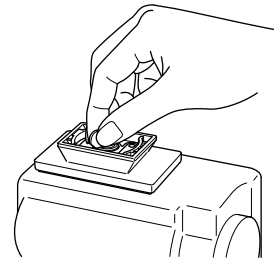
There is a choice of two other angle positions.

Attaching the camera to the quick release platform

Caution

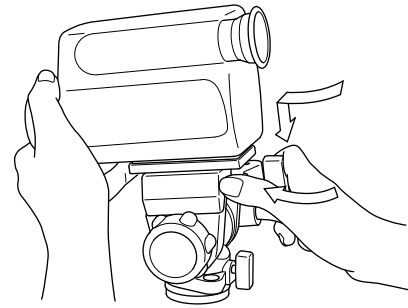


Remove the quick release platform turning the lock lever.
*In this case, please do not put the lock lever back by force as it has been stood by the stopper.



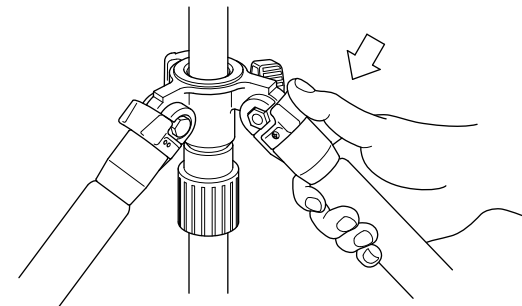
Please set the camera mounting screw and the retractable camera positioning pin to holes at the camera side. Then, fix it with mounting wing nut tightly.
*You can also use this tripod for your still camera as the camera positioning pin is retractable.

Caution



The video camera should be attached from the front of the quick release platform. The lock lever should be locked surely to put the forwards, while it returns automatically.

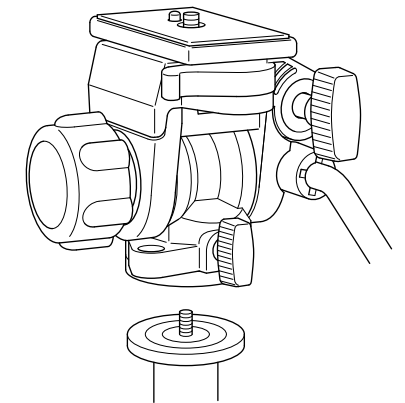
Caution



After choosing the desired leg angle, securely push in the adjustment lock.

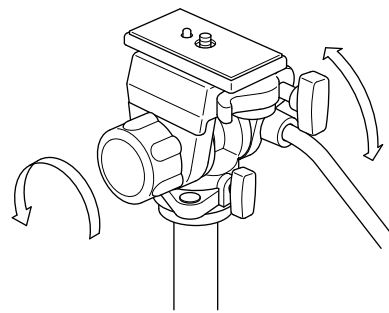
Removing the center column

Caution

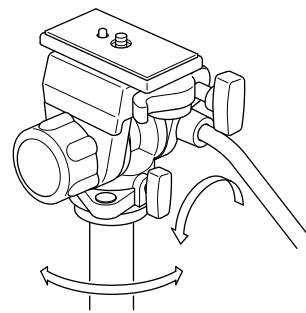


Always remove the pan head when replacing the center column.

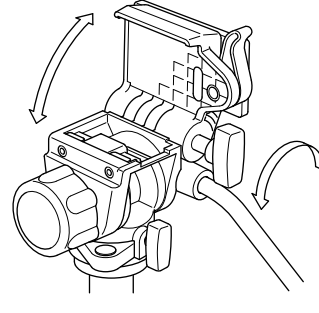
Using the pan head



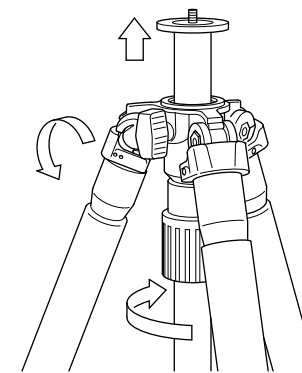
Loosen the tilting lock knob, and the head will tilt back and forth.



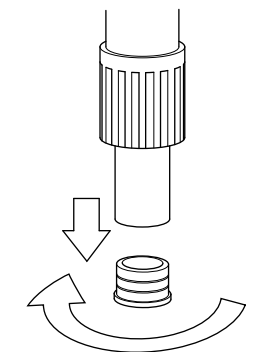
Loosen the panning lock knob, and the head will rotate along the horizontal direction.



Loosen the vertical tilt lock knob, and the level can be adjusted.

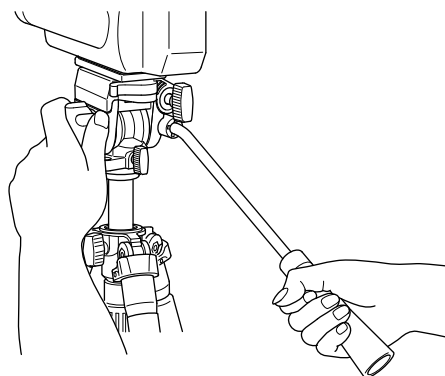


Remove the center column base stopper from the bottom of the center column.



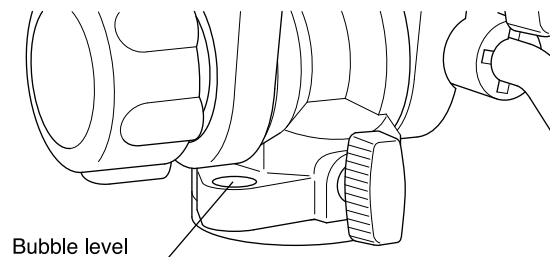
Loosen the center column stopper and the locking collar, and then pull out the center column.

Caution



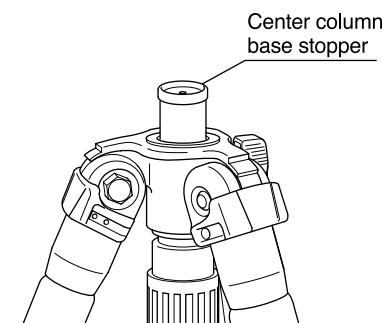
When loosening either the knobs, or the levers, take precaution by keeping a firm grip on the handle until the pan head is locked down.

Bubble level



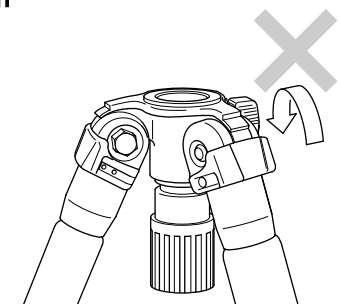
Bubble level is built-in for vertical and horizontal positioning.

Caution



Insert the new replacement center column through the top, and tighten the locking collar. Always be sure to return the center column base stopper back on the bottom of the center column, as this prevents the center column from being accidentally pulled out.

Prohibition



Please do not turn the center column stopper without a center column. The internal parts may be damaged.