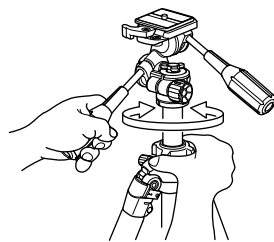
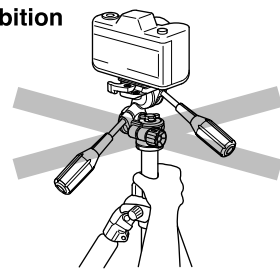


Using the Center column

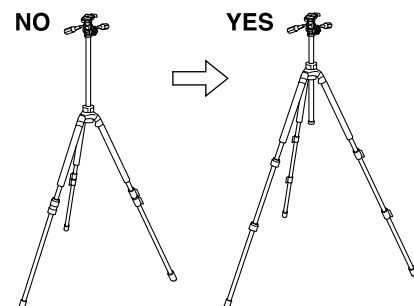


Hold the pan head with one hand. Loosen the center column stopper and the center column locking collar with the other hand. Raise or lower pan head to desired height. While maintaining a hold you desired height of the pan head, tighten the locking collar and the stopper.

Caution
Prohibition

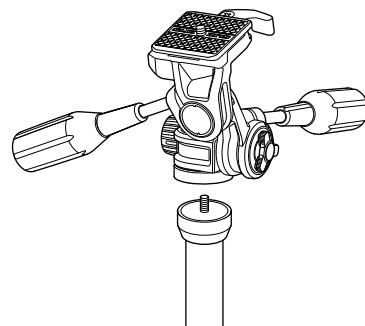


You may be injured by a sudden fall if you remain pan head without tightening up locking collar. Make sure to turn the locking collar with your hand on the side of the collar.

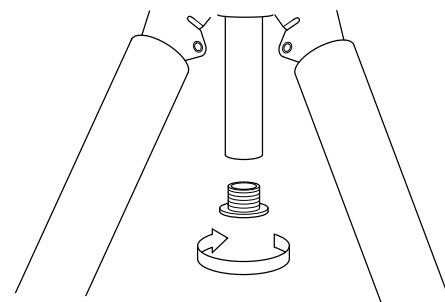


To avoid unnecessary camera vibrations, try to keep the center column height to a minimum. Also use the larger legs first when extending the legs.

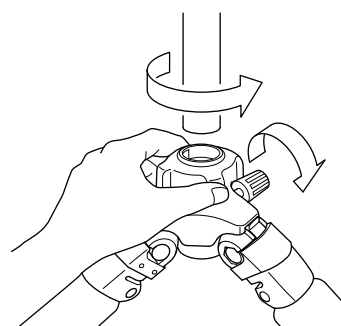
Inverting the Center column



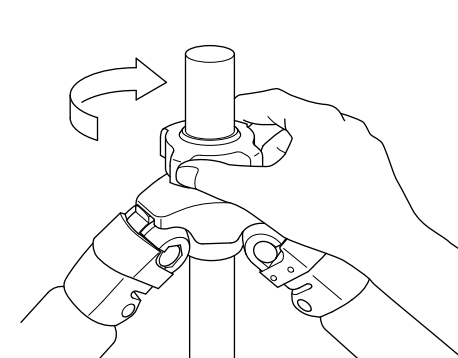
Always remove the pan head first before replacing the center column.



Remove the center column base stopper from the bottom of the center column.

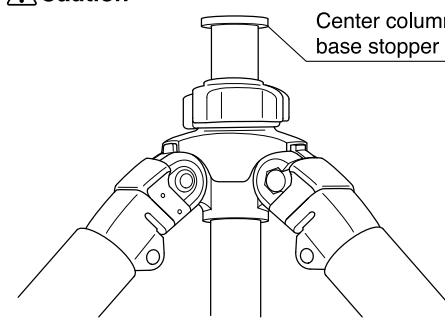


Loosen the center column stopper and the locking collar, and then pull out the center column.

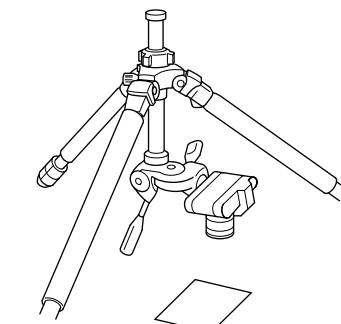


Insert the center column from lower side of main body, and tighten the locking collar and the center column stopper.

Caution



Always be sure to return the center column base stopper back on the center column. This prevents the center column pulled out accidentally.



By inverting the center column, it is possible to do copy, and close up work.

Care of the Tripod

- DO NOT apply any grease or oil to this product.
- Clean with a mild detergent and a soft cloth only.
- DO NOT use close to flame. Avoid extreme heat.



Slik Corporation reserves the right to make changes in design and/or improvements on the products without any obligation and advanced notice.

SLIK CORPORATION
853 Kayama, Hidaka City, Saitama 350-1231 Japan Phone 81-42-989-2141, Fax. 81-42-985-0210 ©2010

Printed in Thailand

SLIK®

PRO 500HD Tripod

Operating Instructions

Thank you very much for choosing SLIK PRO 500HD Tripod. The SLIK Corporation has designed your tripod to be a sturdy, rugged, dependable product that will provide you with many years of satisfactory use.

Please take a few moments to read these operating instructions carefully before use so that you can take full advantage of your Tripod's many fine features. Retain this operating instruction sheet in case you might want to refer back to it.

Caution

This caution icon refers to information pertaining to important safety procedures in preventing injuries, or damages which may occur as a result of mishandling this product.

Prohibition

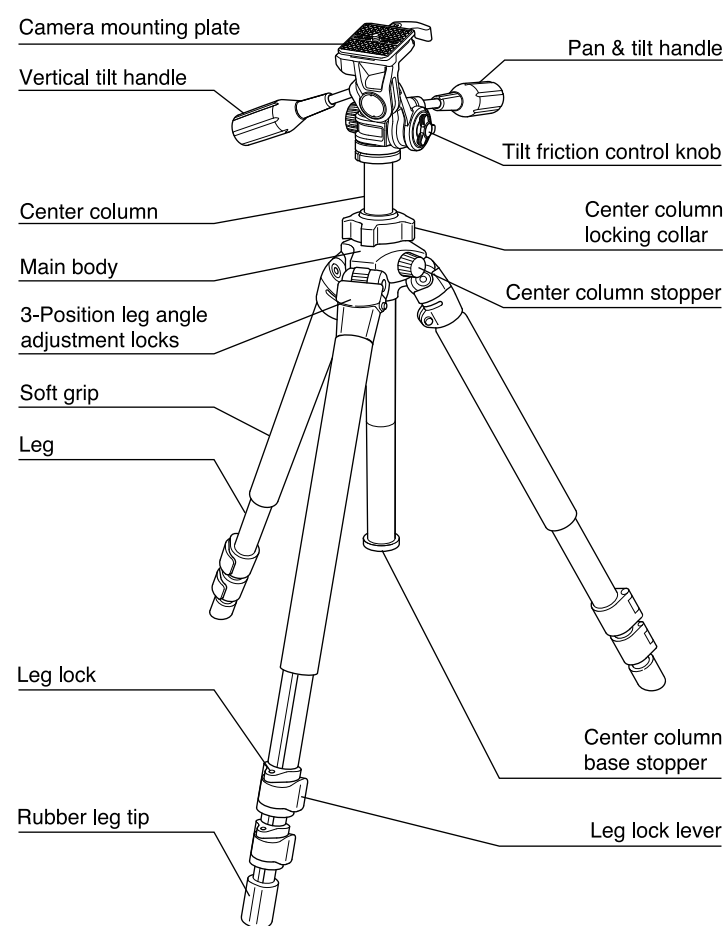
This prohibited icon refers to information pertaining to prohibited contents. Please refer to instructions closely to avoid accidents.

Specification

Length folded	710mm (28")
Max. operating height	1,649mm (64 7/8")
Max. center column ext.	260mm (10 1/4")
Weight	2.68kg (5lbs 15oz)

M463

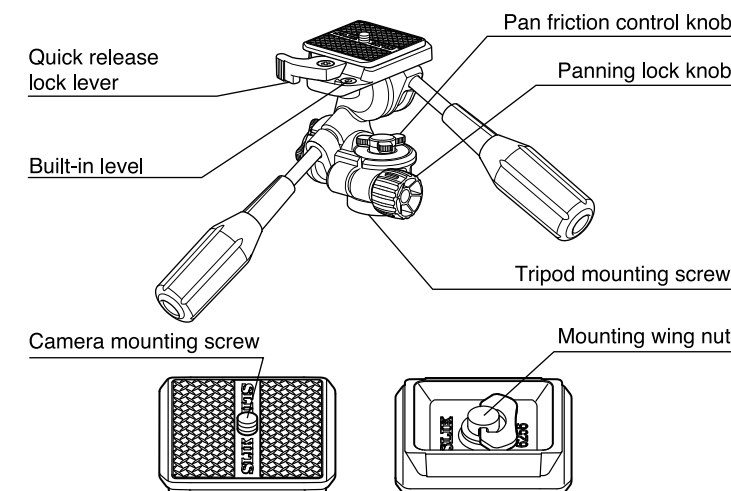
Components



Caution

Soft grip is consumption and cannot be used permanently. Please replace it whenever ragged.

Pan head

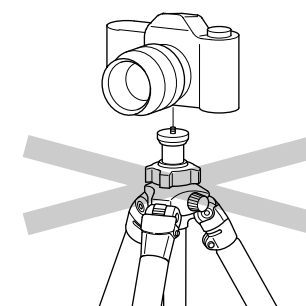


Equipment that can be used with this tripod

This product has been designed to handle equipment weighing under 2kgs (4lbs 6oz). Do not overload. Some equipment weighing under 2kgs (4lbs 6oz), such as long lenses, may not balance well due to its weight distribution. In such case, please use a larger tripod.

Pan head mounting post

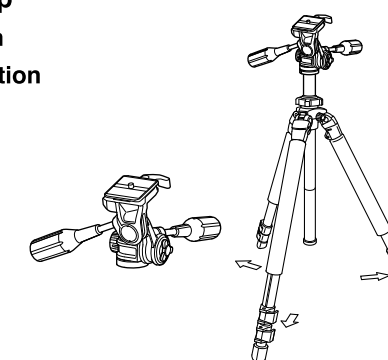
Prohibition



Do not attach camera directly to the threaded post of the center column. This may damage both of camera and tripod.

Setting up

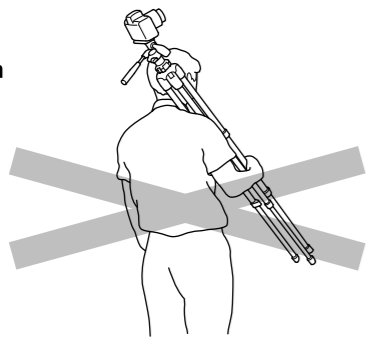
Caution
Prohibition



To prevent accidental equipment fall or tripod tipping over making sure all levers, knobs and handles on the tripod are securely tightened, and all three legs are opened all the way.

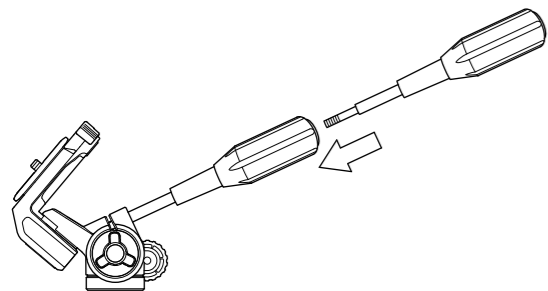
Carrying the tripod

- ⚠ Caution
- 🚫 Prohibition



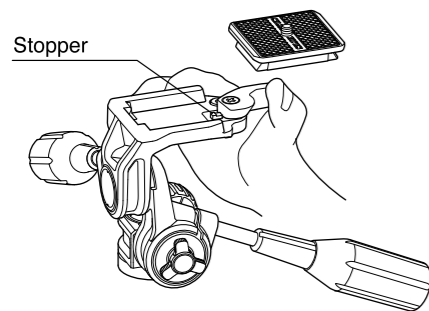
Carrying a tripod with a camera left on can result in unexpected accidents. We, therefore recommend you to remove your camera while you are carrying the tripod.

Storage



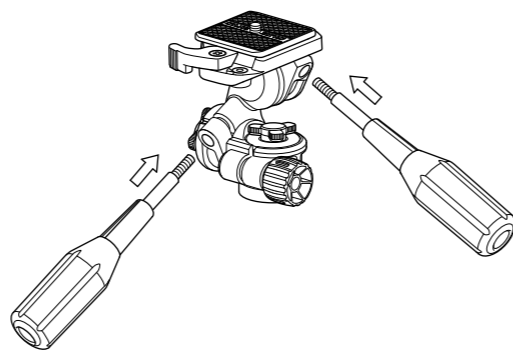
Remove the vertical tilt handle from the panhead, and screw into the back of the pan & tilt handle.

Attaching the camera to the quick release platform



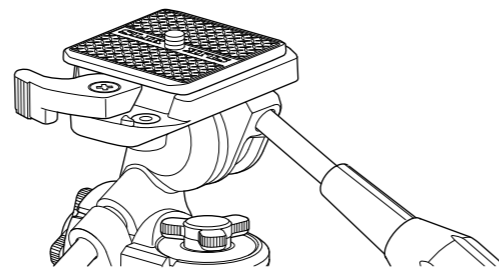
Remove the quick release platform turning the lock lever. In this case, please do not put the lock lever back by force as it has been stood by the stopper.

Install the panhandle



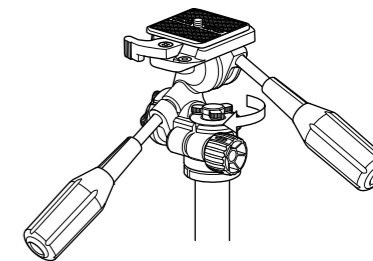
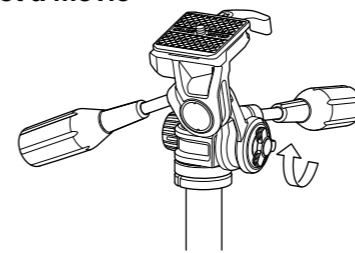
Panhandle are installed as shown. There is not difference in length between the panhandle. Panhandle is installed in both side.

Built-in level



Adjust the built-in level to fit into the middle.

How to shoot a movie

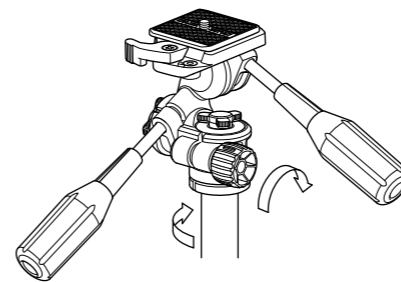


When tilt friction control knob is locked and pan handle is loosened, a friction of the vertical movement is increased. When pan friction control knob is locked and pan handle is loosened, a friction of the horizontal movement is increased. If the pan handle loosened too much, it doesn't allow you smooth movements. Pan and tilt friction can be adjusted depends on an equipment or your favor, it is also suitable for a movie shooting. An adjustment range of friction control knobs are one whole turn.

⚠ Caution

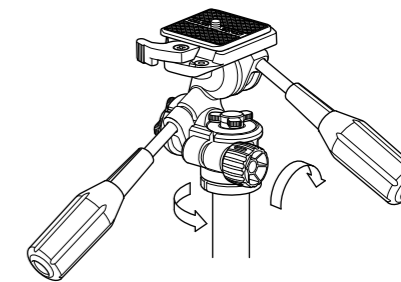
The friction control knob is just for adjusting the frictions. When you are away from the tripod with your camera on, make sure to lock by the pan handle and the pan stopper.

Removing the pan head from the center column



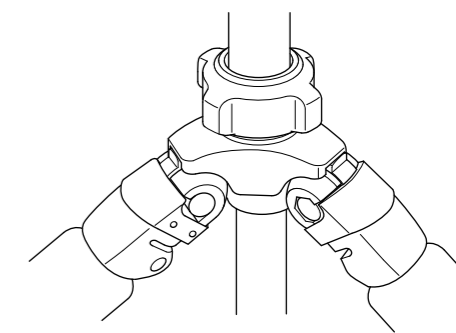
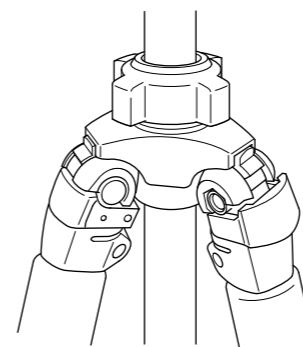
Use the following instructions if you wish to change to another heads, or attach accessories. First, lock the panning lock knob, then grasp the pan, or vertical tilt handle and turn the head, counter-clockwise to loosen.

Setting the pan head from the center column



Set the new head, or accessory on the tripod's threaded post, and turn clockwise until it comes to a stop. Tighten the panning lock knob and turn clockwise slightly more.

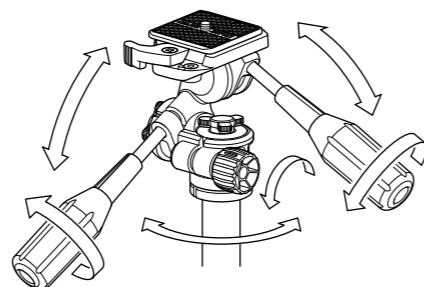
Three position adjustable legs



To change the angle of each leg, close the leg slightly and pull the leg angle adjustment lock out. There is a choice of two other angle positions.

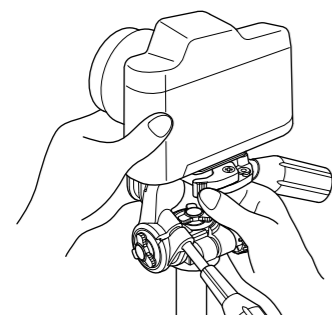
After choosing the desired leg angle, securely push in the adjustment lock.

Using the pan head



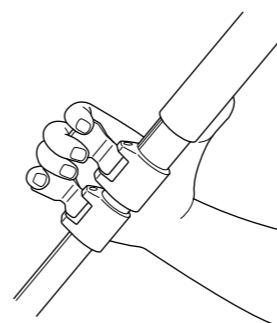
Loosen the pan & tilt handle, and the head will tilt back and forth. Loosen the panning lock knob, and the head will rotate along the horizontal direction. Loosen the vertical tilt handle, and the level can be adjusted.

⚠ Caution



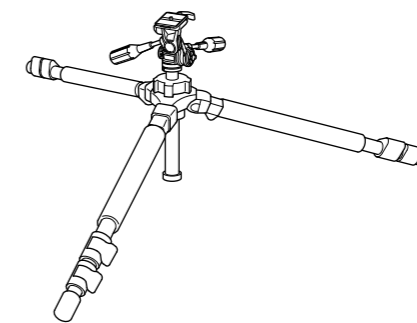
When you fix this quick release platform to pan head, the quick release lock lever will return to the original position automatically. We, however, recommend you to tighten this lever more to secure the fixing.

Extending the tripod legs

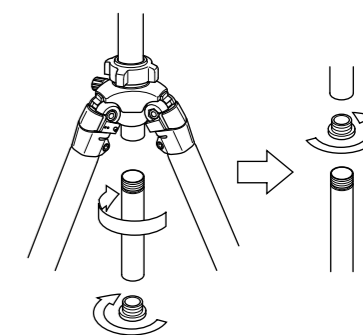


Flip up the leg lock lever to extend or shorten any of the individual leg sections to the desired length. Press the leg lock lever flush against the leg to lock.

How to get low position shots



You can get lower height as shown in the picture.



Remove the center column base stopper. Then remove the lower part of center column. Put the center column base stopper in from the upper part of center column.