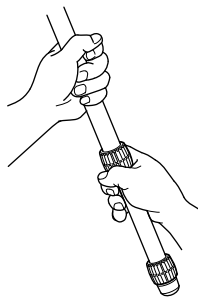
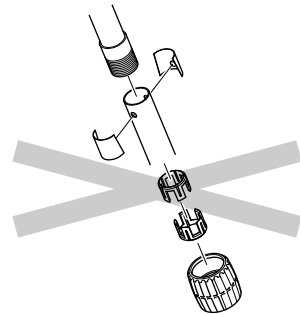


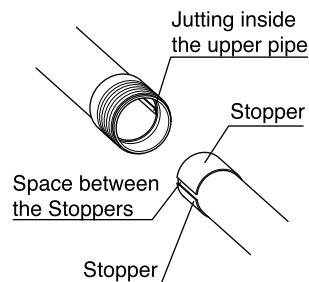
Extending the Tripod legs



Extend the legs from the upper section, and fold the legs from the lower section. It is steady to grip the upper part of pipe just above the lock nut when the leg is extended or folded.

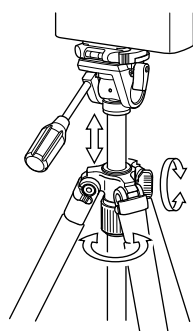


Do not remove the nut and take out pieces. If it has been removed, insert the pieces as per the above specification.

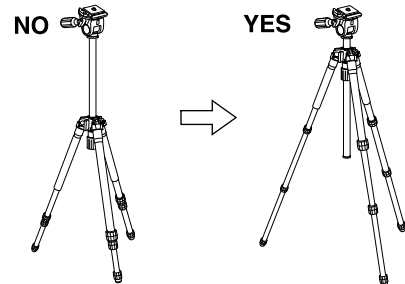


Match the space between the Stoppers and jutting inside the upper pipe when the pipe is connecting.

Operating the Center column

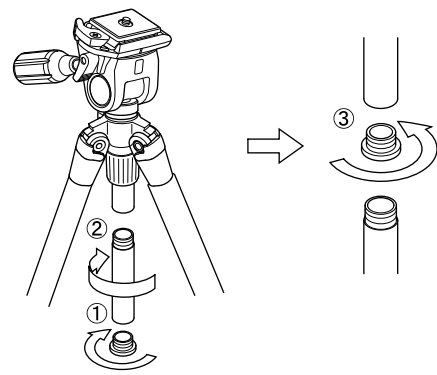
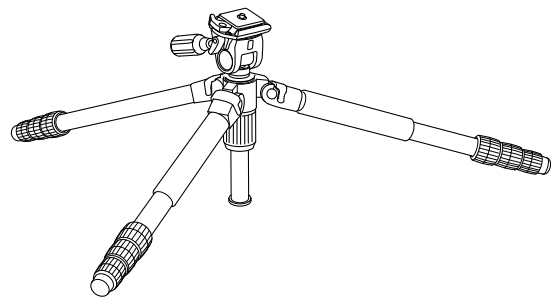


Loosen the Center column stopper while holding the Pan head, then loosen the Center column locking nut. After fixing of your desired height, tighten the both the Center column stopper and the Center column locking nut firmly before you keep your hands away from the Pan head.



To avoid unnecessary camera vibrations, keep the Center column height to a minimum. Also use the larger legs first when extending the legs.

How to get low position shots



1. Remove the Center column base stopper.
2. Remove the Lower part of Center column.
3. Put the Center column base stopper on the Upper part of Center column end.

Care of the Tripod

- DO NOT apply any grease or oil to this product.
- Clean with a mild detergent and a soft cloth only.
- DO NOT use close to flame. Avoid extreme heat.



Slik corporation reserves the right to make changes in design and/or improvements on the products without any obligation and advanced notice.

SLIK CORPORATION
853 Kayama, Hidaka City, Saitama 350-1231, Japan Phone 81-42-989-2141, Fax. 81-42-985-0210 ©2010

Printed in Thailand.

SLIK®

PRO 634EZ Tripod

Operating Instructions

Thank you very much for choosing SLIK PRO 634EZ Tripod. The SLIK Corporation has designed your tripod to be a sturdy, rugged, dependable product that will provide you with many years of satisfactory use.

Please take a few moments to read this operating instruction carefully before use so that you can take full advantage of your Tripod's many fine features.

Retain this operating instruction in case you might want to refer back to it.

⚠ Caution

This caution icon refers to information pertaining to important safety procedures in preventing injuries, or damages which may occur as a result of mishandling this product.

🚫 Prohibition

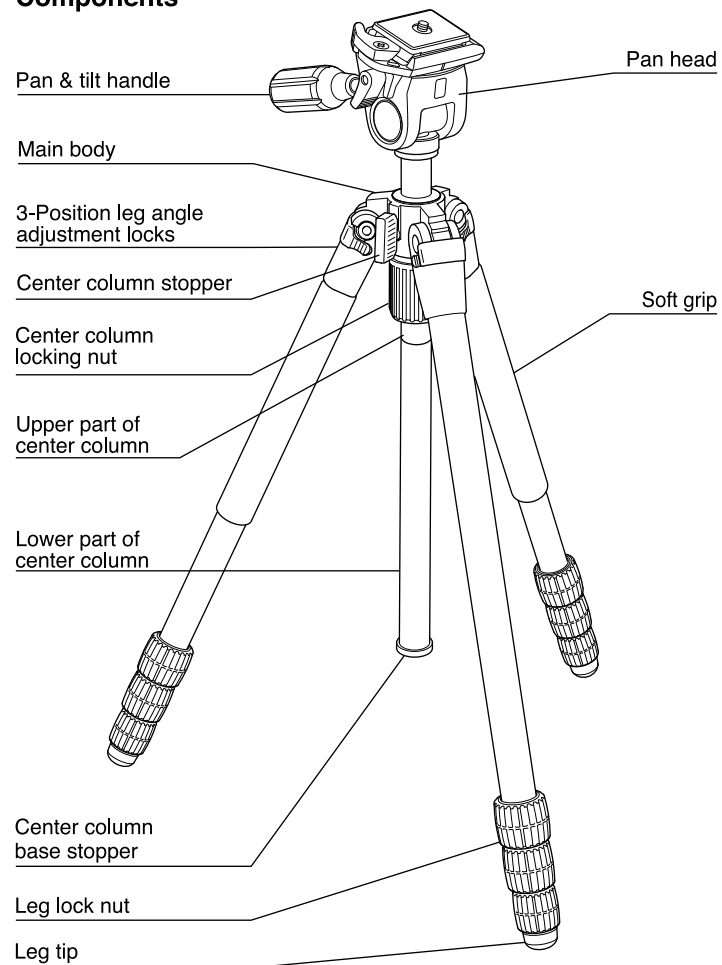
This prohibited icon refers to information pertaining to prohibited contents. Please refer to instructions closely to avoid accidents.

Specification

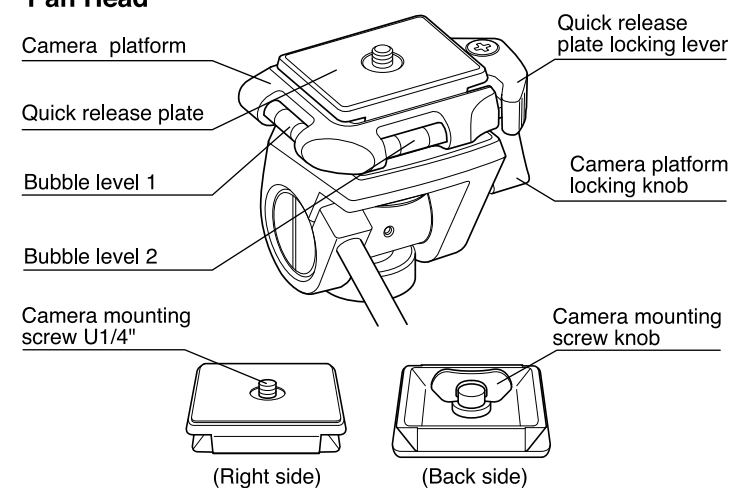
Length folded	525mm (21")
Max. operating height	1,684mm (66 1/4")
Max. center column ext.	300mm (11 9/12")
Weight	1.4kg (3lbs 2oz)

L966

Components



Pan Head



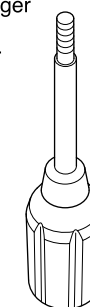
Equipment that can be loaded on this Tripod

This product has been designed to handle equipment weighing under 3 kgs (6 lbs 10 oz). Do not overload. Some equipments weighing under 3 kgs (6 lbs 10 oz), such as long lenses, may not balance well due to its weight distribution. In such case, select a larger tripod.

Optional Accessory

Long Pan Handle
Cat. No. 618-797
Length 7.95in. (202mm)

This accessory pan handle is 2.75in. (70mm) longer than the original pan handle for easier movements with a spotting scope or binoculars.

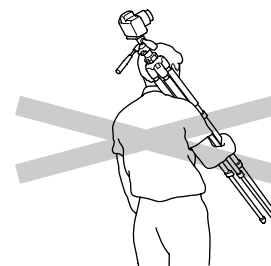


⚠ Caution

Soft Grip is consumption and cannot be used permanently. Please replace it whenever ragged.

Carrying the Tripod

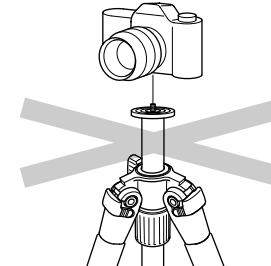
🚫 Prohibition



Carrying a tripod with a camera left on can result in unexpected accidents. We, therefore, recommend you to remove your camera while carrying the tripod.

Pan Head mounting post

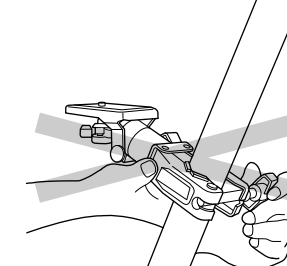
🚫 Prohibition



Do not attach a camera directly to the Pan head attachment screw. This may damage both your camera and tripod.

Clamp head

🚫 Prohibition



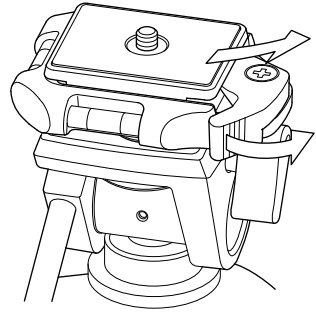
Do not use an optional Clamp head for a carbon fiber tripod. The pipe may be damaged.

In case of the shock given to tripod by force

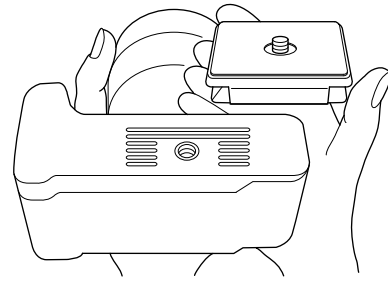
⚠ Caution

When the shock has been given to the tripod and legs such as falling down, check well whether there are cracks, flaws, etc. on the pipes or not. When you find some cracks, flaws, etc. on the pipes, stop to use it and ask to repair. It may be wounded when some of fibers came out from the pipes. In that case do not touch it.

Attaching a camera

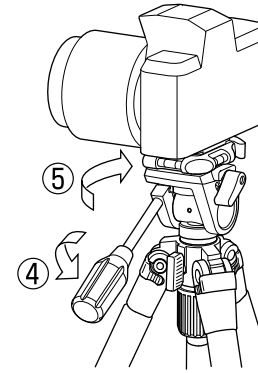


Remove the Quick release plate turning the Quick release plate locking lever. In this case, do not put the Lock Lever back by force as it has been stood by the Stopper.

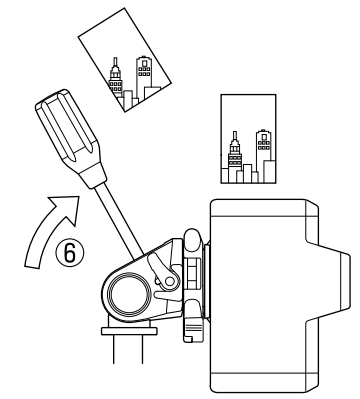


Insert the Camera mounting screw to the tripod attachment screw of your camera. Turn the Camera mounting screw knob and fix firmly.

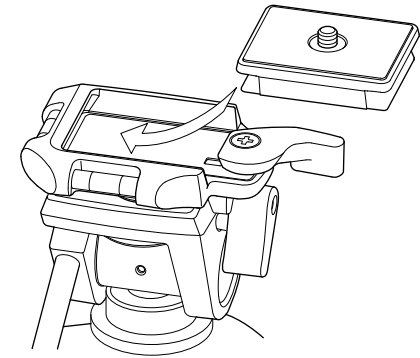
How to get vertical position (Continued)



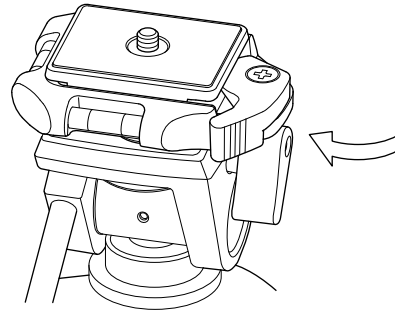
4. Loosen pan & tilt handle for your camera to get the front.
5. Turn your camera to the front.



6. Adjust pan & tilt handle to get vertical position.

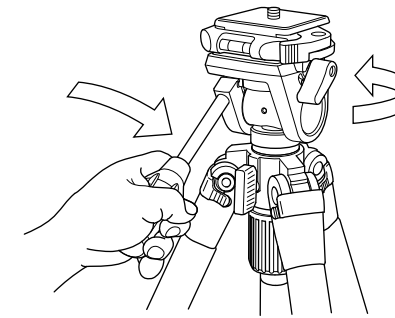


Attach the plate slid aslant from the Plate locking lever. It will be closed automatically after attaching.

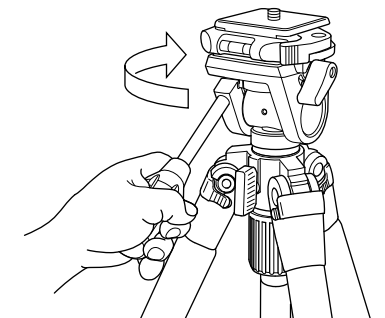


Fasten the Plate locking lever. Make sure the Quick release plate is fixed firmly.

Removing the Head from the Center column

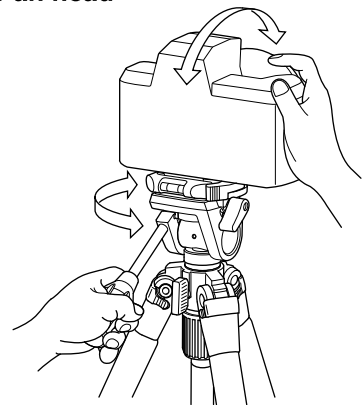


Use the following instructions when you change the Pan head or attach accessories. Lock the Pan & tilt handle, then grasp the Pan & tilt handle and turn the head counter-clockwise to loosen.

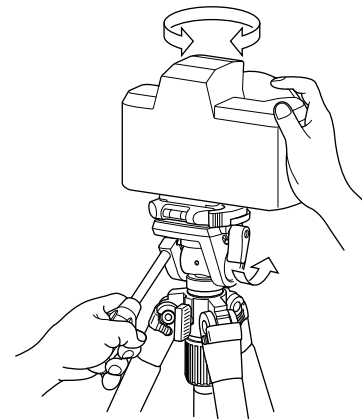


Set new head or accessories on the tripod's threaded post, and turn clockwise until it comes to a stop. Tighten the Pan & tilt handle, and turn clockwise slight more.

Using the Pan head

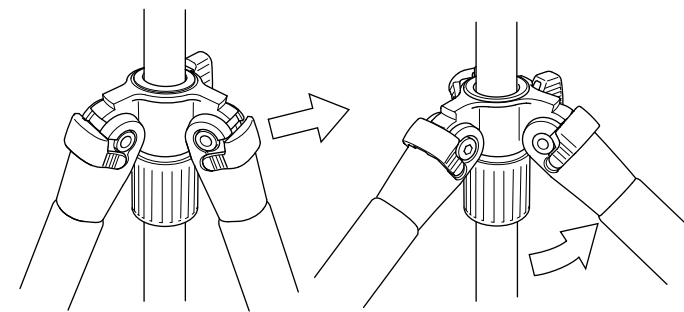


When you unlock the handle, your camera is free to move.



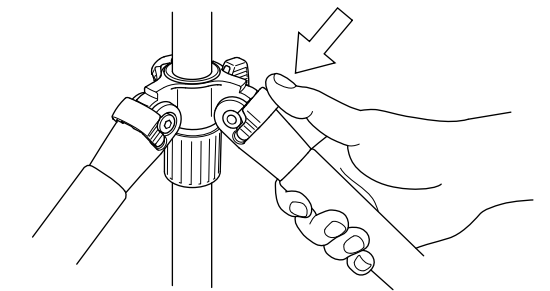
When you unlock the Camera platform locking knob, the camera is free to rotate horizontally.

Three position adjustable legs



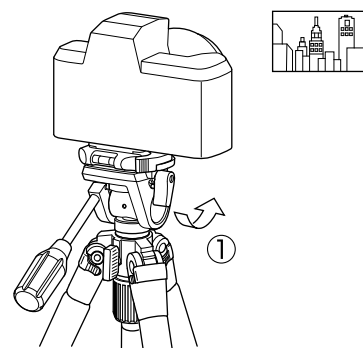
To change the angle of each leg, close the Leg slightly, and then pull the leg angle adjustment lock out. There is a choice of two other angle positions.

Caution

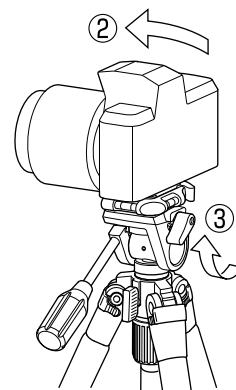


After choosing the desired leg angle, securely push in the adjustment lock.

How to get vertical position



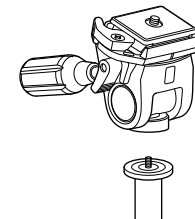
1. Loosen the Camera platform locking knob.



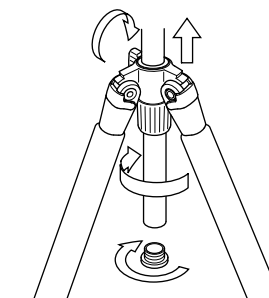
2. Turn your camera to the side.
3. Tighten the Camera platform locking knob.

Inverting the Center column

Caution



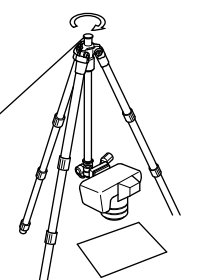
Remove the Pan head when inverting or replacing the Center column.



Remove the Center column base stopper turning to the direction of arrow. Loosen the Center column stopper and Center column locking nut, then pull out the Center column.

Caution

Center column base stopper must be attached.



Insert the Center column from the lower side of the Main body, tighten the Center column locking nut and the Center column stopper. Make sure to re-attach the Center column base stopper in order to prevent the Center column falling out accidentally.