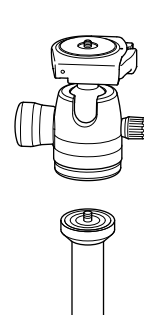
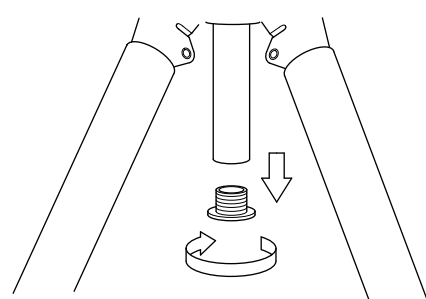


Inverting the center column

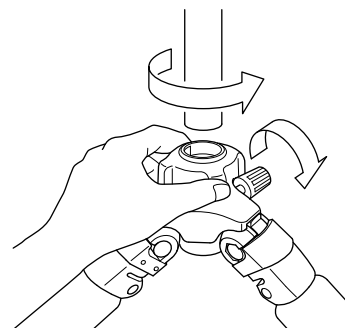
⚠ Caution



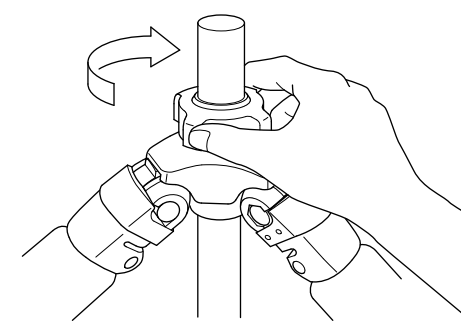
Remove the ball head when inverting or replacing the center column.



Remove the center column base stopper turning to the direction of arrow.

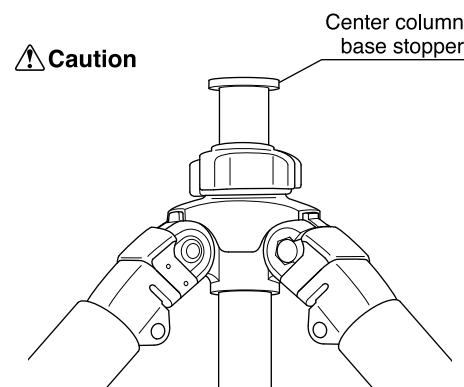


Loosen the center column stopper and the locking collar, then pull out the center column.

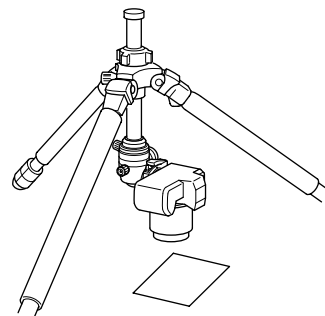


Insert the center column from the lower side of main body, and tighten the locking collar and the center column stopper.

⚠ Caution

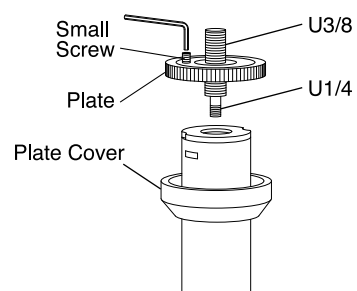


Make sure to re-attach the center column base stopper in order to prevent the center column falling out accidentally.



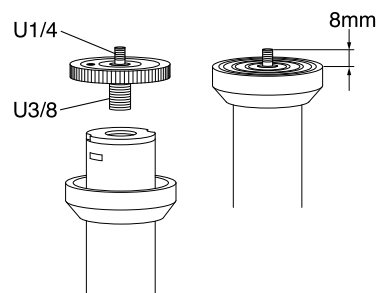
By inverting the center column, it is possible to do copy and close up work.

How to change the pan head fixing screw



The pan head fixing screw is reversible for either large thread (U3/8) or small thread (U1/4).

1. Move the plate cover down.
2. Loosen the small screw in about three turnings with an allen wrench (2mm width).
3. Loosen the plate without removing the small screw.



4. Loosen the pan head fixing screw and pull it out. Then, screw it in again after reversing top and bottom.
5. Adjust the height of screw in approx. 8mm above the plate and then, tighten the small screw by an allen wrench.
6. Put the plate cover back.

Care of the tripod

- DO NOT apply any grease or oil to this product.
- Clean with a mild detergent and a soft cloth only.
- DO NOT use close to flame. Avoid extreme heat.



Slik Corporation reserves the right to make changes in design and/or improvements on the products without any obligation and advanced notice.

SLIK CORPORATION
853 Kayama, Hidaka City, Saitama 350-1231, Japan Phone 81-42-989-2141, Fax. 81-42-985-0210 ©2010

Printed in Thailand.

SLIK®

PRO 700BH Tripod

Operating Instructions

Thank you very much for choosing SLIK PRO 700BH Tripod. The SLIK Corporation has designed your tripod to be a sturdy, rugged, dependable product that will provide you with many years of satisfactory use.

Please take a few moments to read this operating instruction carefully before use so that you can take full advantage of your Tripod's many fine features.

Retain this operating instruction in case you might want to refer back to it.

⚠ Caution

This caution icon refers to information pertaining to important safety procedures in preventing injuries, or damages which may occur as a result of mishandling this product.

⊘ Prohibition

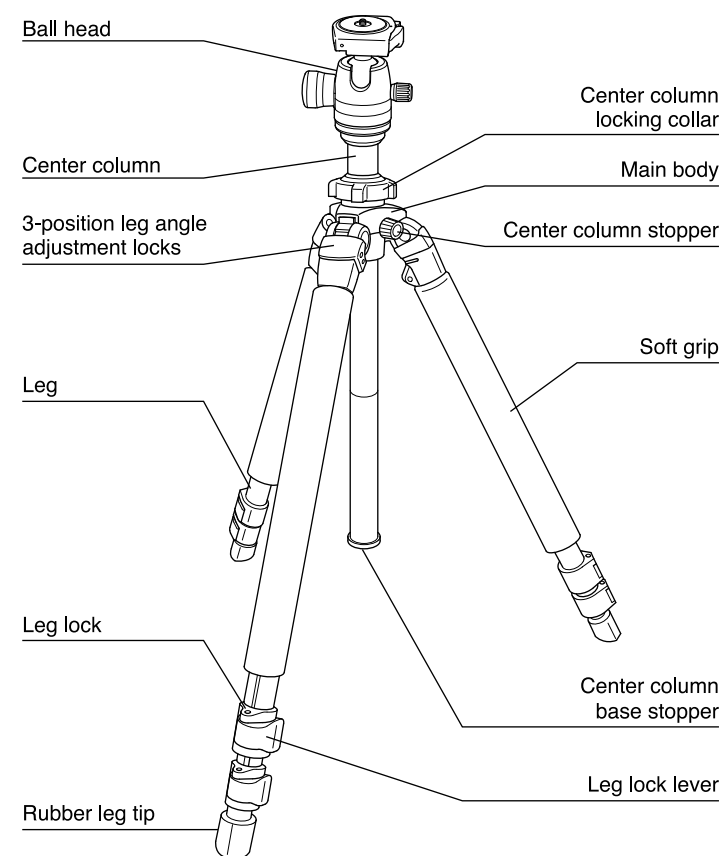
This prohibited icon refers to information pertaining to prohibited contents. Please refer to instructions closely to avoid accidents.

Specification

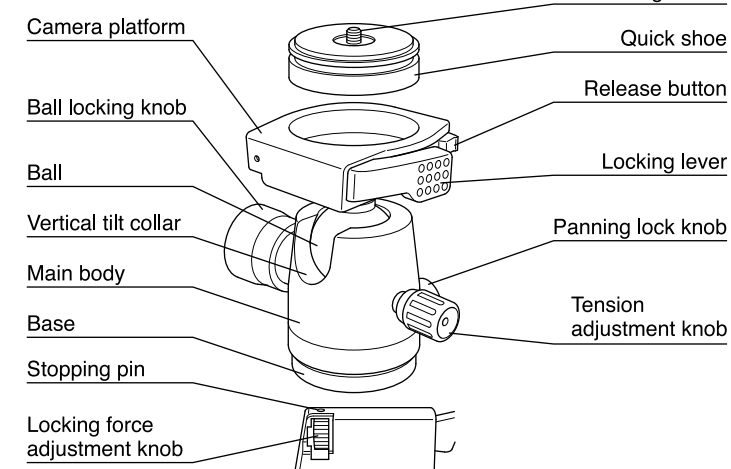
Length folded	800 mm (31 1/2")
Max. operating height	1900 mm (74 5/6")
Max. center column ext.	380 mm (14 11/12")
Weight	3.43 kg (7lbs 10oz)

M583

Components



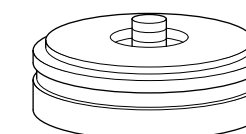
Ball head



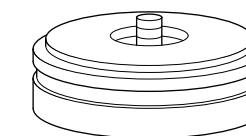
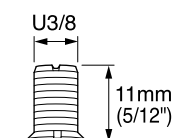
Options

BALL HEAD 800
QUICK SHOE(U3/8")
Cat. No. 618-340

THREAD ADAPTER
Cat. No. 618-331



BALL HEAD 800
QUICK SHOE(U1/4")
Cat. No. 618-335



⚠ Caution

Soft grip is consumption and cannot be used permanently. Please replace it whenever ragged.

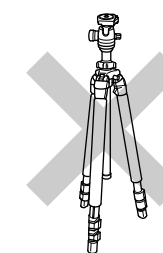
Equipment that can be loaded on this tripod

This product has been designed to handle equipment weighing under 5 kgs (11 lbs). Do not overload.

Some equipments weighing under 5 kgs (11 lbs), such as long lenses, may not balance well due to its weight distribution. In such case, select a larger tripod.

Setting up

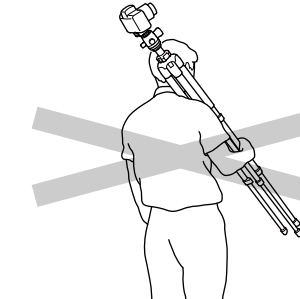
⚠ Caution



To prevent accidental equipment fall or tripod tipping over making sure all levers, knobs and handles on the tripod are securely tightened, and all three legs are opened all the way.

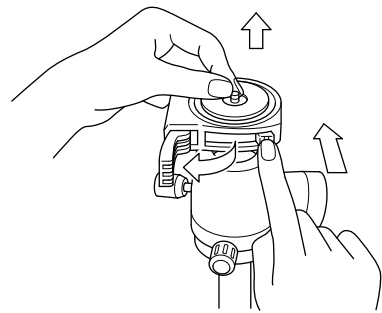
Carrying the tripod

⊘ Prohibition

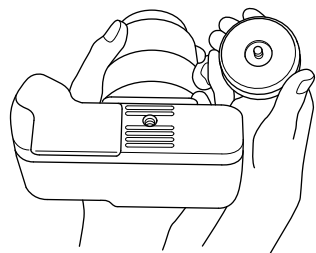


Carrying a tripod with a camera left on can result in unexpected accidents. We, therefore, recommend you to remove your camera while carrying the tripod.

Attaching the camera



1. Remove the quick shoe by opening the locking lever and then pressing the release button.



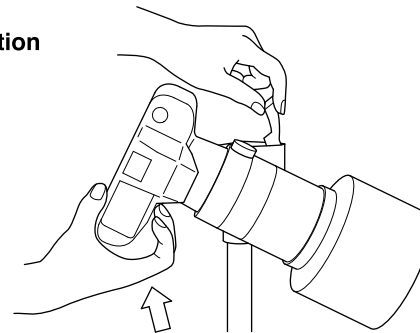
2. Screw the quick shoe on to camera, and insert back into the camera platform.

⚠ Caution

Please do not over tight your quick shoe.

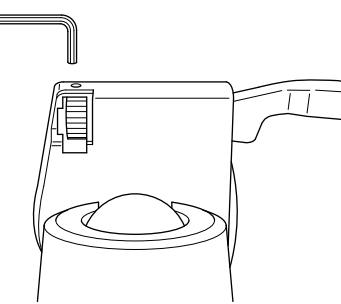
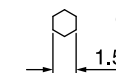
Safeguards during operation with a camera

⚠ Caution

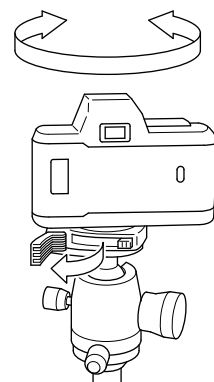


The camera can fall suddenly when the ball locking lever or locking lever is loosened, causing damages and injuries. Always hold on to the camera during such operation.

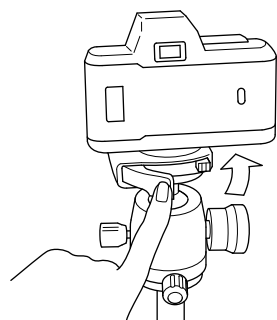
Adjusting the firmness of the locking lever



Over a long usage, the firmness of the locking lever may yield slightly. In such case, it is possible to make re-adjustments with the locking force adjustment knob. Use a 1.5mm hexagon wrench to loosen the stopping pin.



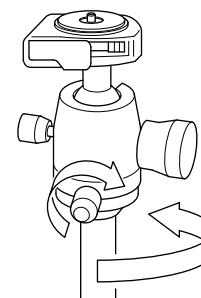
3. Correctly installed you will hear a "click", and the quick shoe will rotate 360°.



4. Fix the quick shoe at a desired position by closing the locking lever.

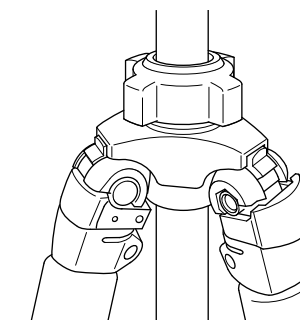
5. To remove the quick shoe, follow step 1.

Removing the ball head from the center column



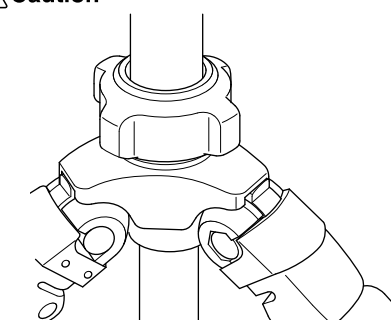
Lock the panning lock knob tightly. Grasp the main body and turn the whole ball head counter-clockwise to loosen. Then loosen the panning lock knob and it will be easy to unscrew the head by rotating the base.

Three position adjustable legs



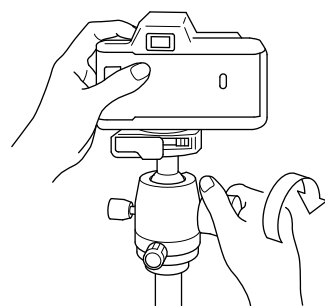
To change the angle of each leg, close the leg slightly and then pull the leg angle adjustment lock out. There is a choice of two other angle positions.

⚠ Caution



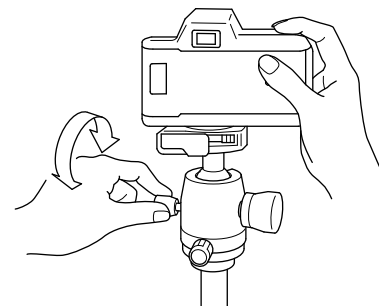
After choosing the desired leg angle, securely push in the adjustment lock.

To lock camera platform



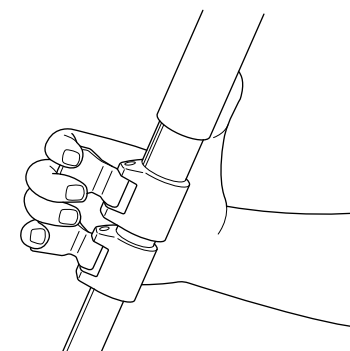
The camera platform can be locked into the position by the tightening the ball locking knob. Make sure to hold your camera while operating the ball locking knob.

⚠ Do not take off ball locking knob, to prevent dropping out the inner part.



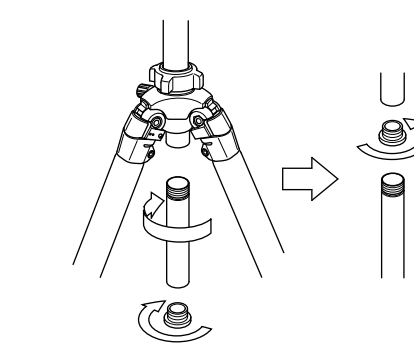
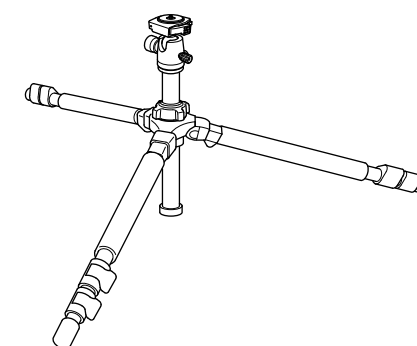
By turning the tension adjustment knob (located opposite of the ball locking knob), you can adjust the tension of the ball movement. Make sure to hold your camera while operating the tension adjustment knob. Make adjustments after loosening the locking knob slightly, so as to free the ball movement.

Extending the tripod legs



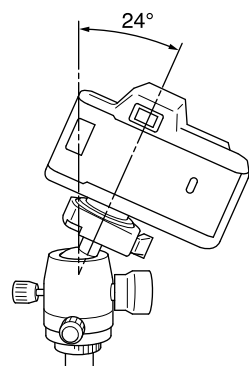
Flip up the leg lock lever to extend or shorten any of the individual leg sections to the desired length, and press the leg lock lever flush against the leg to lock.

How to get low position shots

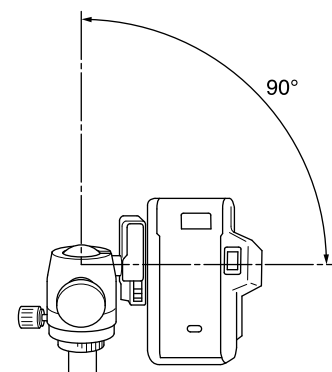


Remove the center column base stopper. Then remove the lower part of center column. Put the center column base stopper in from the upper part of center column.

Shooting at a vertical position

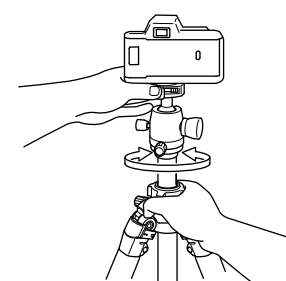


The camera platform will normally tilt down 24°.



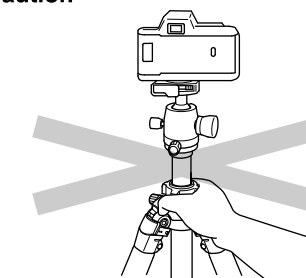
By using the vertical tilt collar, it will tilt down further to 90°.

Using the center column

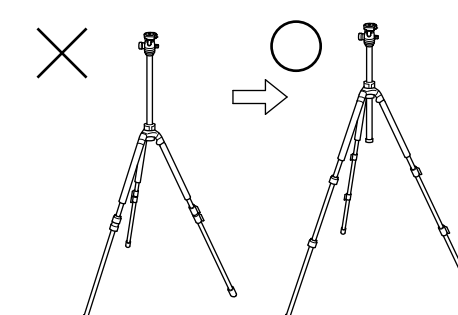


Hold the ball head with one hand. Loosen the center column stopper and the center column locking collar with the other hand. Raise or lower ball head to desired height. While maintaining a hold you desired height of the ball head, tighten the locking collar and the stopper.

⚠ Caution



You may be injured by a sudden fall if you remain ball head without tightening up locking collar. Make sure to turn the locking collar with your hand on the side of the collar.



To avoid unnecessary camera vibrations, keep the center column height to a minimum. Also use the larger legs first when extending the legs.