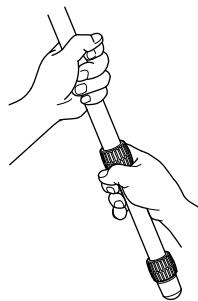
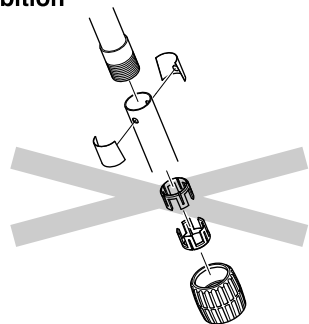


Extending the Tripod legs

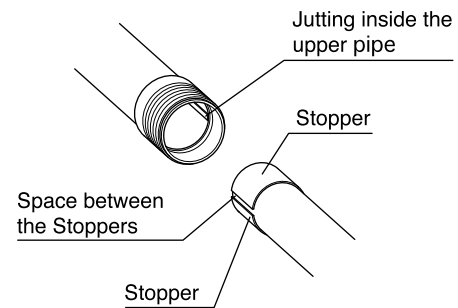


Extend the legs from the upper section, and fold the legs from the lower section. It is steady to grip the upper part of pipe just above the lock nut when the leg is extended or folded.

Prohibition

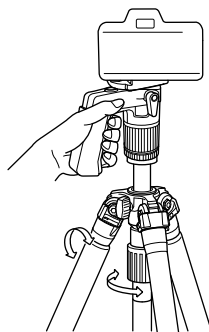


Do not remove the nut and take out pieces. If it has been removed, insert the pieces as per the above specification.

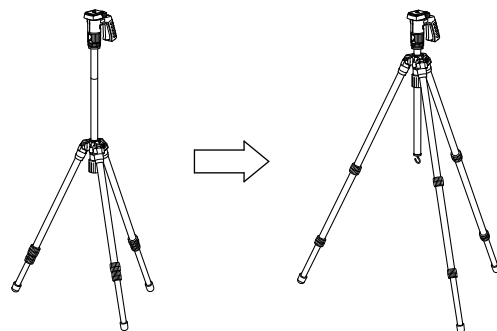


Match the space between the Stoppers and jutting inside the upper pipe when the pipe is connecting.

Operating the Center column

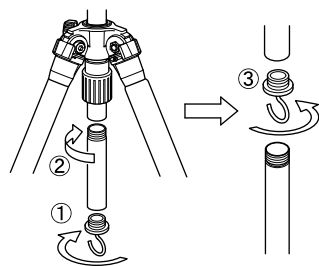
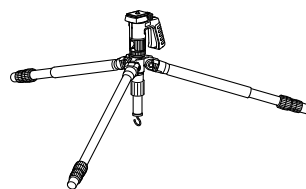


Loosen the Center column stopper while holding the Pan head, then loosen the Center column locking nut. After fixing of your desired height, tighten the both the Center column stopper and the Center column locking nut firmly before you keep your hands away from the Pan head.



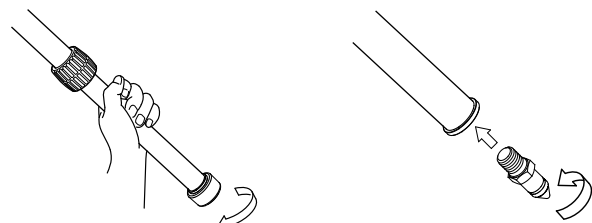
To avoid unnecessary camera vibrations, keep the Center column height to a minimum. Also use the larger legs first when extending the legs.

How to get low position shots



1. Remove the Center column base stopper.
2. Remove the Lower part of Center column.
3. Put the Center column base stopper on the Upper part of Center column end.

How to change the leg tips



The leg tips can be converted to the spike leg tips. (sold separately) To remove the rubber leg tip, hold the leg pipe tightly and loosen the rubber leg tip.

Screw the spike leg tip into the leg pipe by finger tips until it comes stop. Then the spike leg tip must be tightened up with the wrench (comes with SPIKE SET).

Prohibition

If you hold the leg pipe other than the lowest part, the leg pipe may be damaged. Always use the attached wrench for the conversion. The pipe may be damaged.

Care of the Tripod

- DO NOT apply any grease or oil to this product.
- Clean with a mild detergent and a soft cloth only.
- DO NOT use close to flame. Avoid extreme heat.



Slik Corporation reserves the right to make changes in design and/or improvements on the products without any obligation and advanced notice.

SLIK

PRO 723AF Tripod

Operating Instructions

Thank you very much for choosing the SLIK PRO 723AF Tripod. The SLIK Corporation has designed your tripod to be a sturdy, rugged, dependable product that will provide you with many years of satisfactory use.

Please take a few moments to read these operating instructions carefully before use so that you can take full advantage of your Tripod's many fine features. Retain this operating instruction sheet in case you might want to refer back to it.

Caution

This caution icon refers to information pertaining to important safety procedures in preventing injuries, or damages which may occur as a result of mishandling this product.

Prohibition

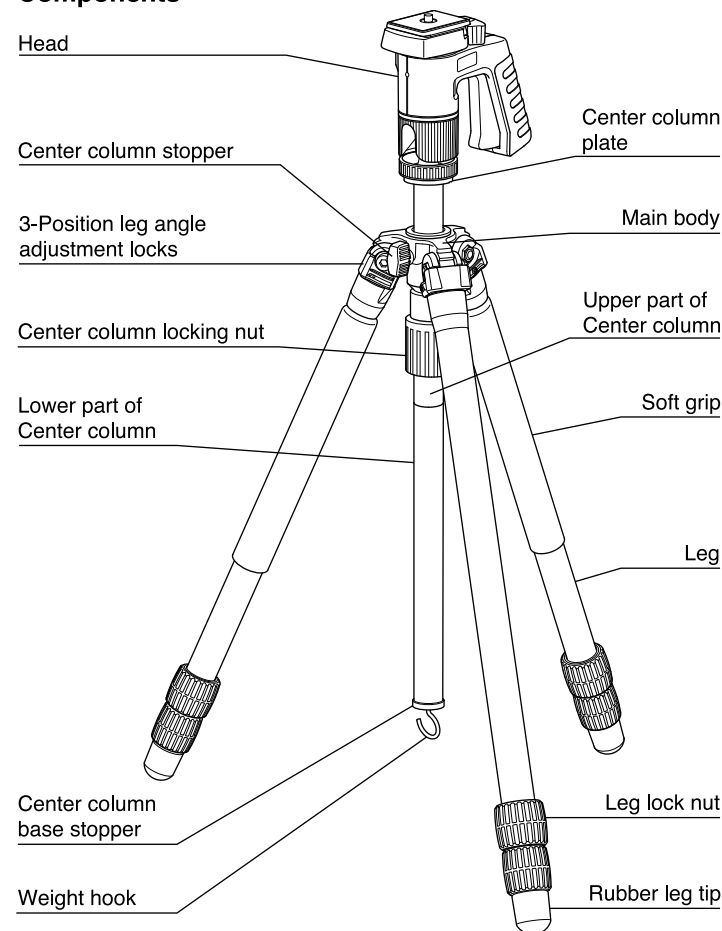
This prohibited icon refers to information pertaining to prohibited contents. Please refer to instructions closely to avoid accidents.

Specification

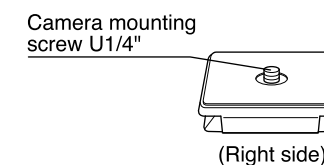
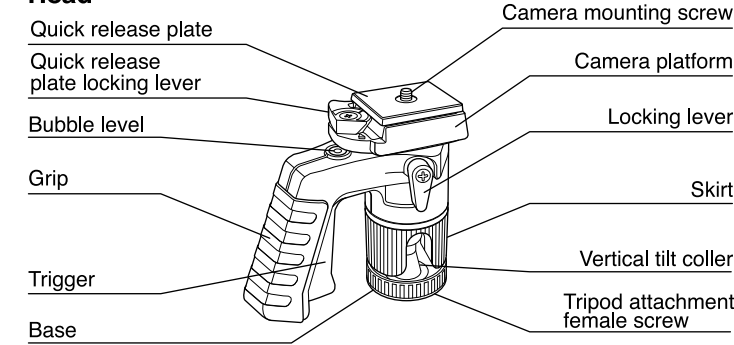
Length folded	696mm (27 1/2")
Max. operating height	1,787mm (70 1/4")
Max. center column ext.	350mm (13 9/12")
Weight	1.95kg (4lbs 5oz)

L883

Components

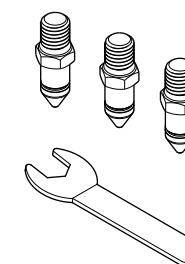


Head



Optional Accessory

SPIKE SET
Cat. NO.618-410



Equipment that can be loaded on this Tripod

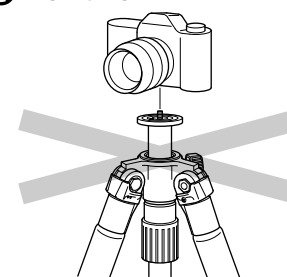
This product has been designed to handle equipment weighing under 1.5 kgs (3lbs 5oz). Do not overload. Some equipments weighing under 1.5 kgs (3lbs 5oz), such as long lenses, may not balance well due to its weight distribution. In such case, select a larger tripod.

Caution

Soft Grip is consumable and cannot be used permanently. Please replace it whenever ragged.

Pan Head mounting post

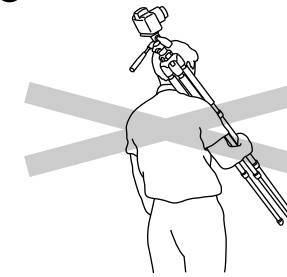
Prohibition



Do not attach a camera directly to the attachment screw of the Center column. This may damage both your camera and tripod.

Carrying the Tripod

Prohibition



Carrying a tripod with a camera left on can result in unexpected accidents. We, therefore, recommend you to remove your camera while carrying the tripod.

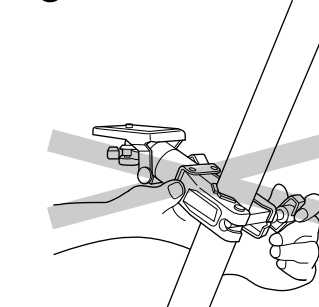
In case of the shock given to tripod by force

Caution

When the shock has been given to the tripod and legs such as falling down, check well whether there are cracks, flaws, etc. on the pipes or not. When you find some cracks, flaws, etc. on the pipes, stop to use it and ask to repair. It may be wounded when some of fibers came out from the pipes. In that case do not touch it.

Clamp head

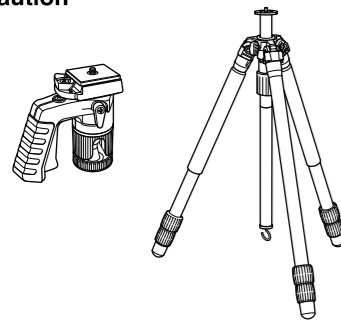
Prohibition



Do not use an optional Clamp head for a carbon fiber tripod. The pipe may be damaged.

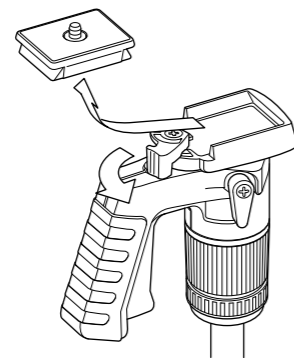
Setting up

⚠ Caution



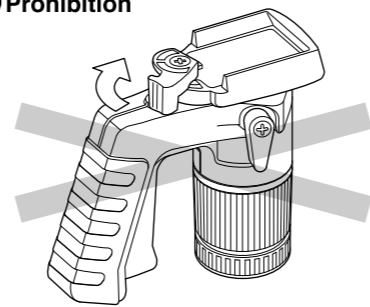
Prevent accidental equipment fall, or tripod tipping over, by making sure all levers, knobs, and handles on the tripod are securely tightened, and that all of three legs are opened fully.

Attaching the camera to the Quick release plate



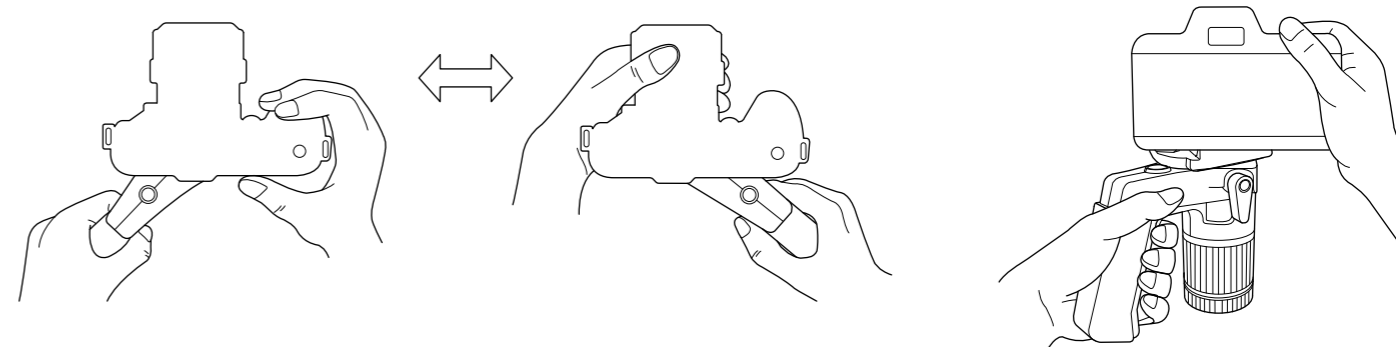
Remove the Quick release plate turning the Quick release plate locking lever.

⊘ Prohibition

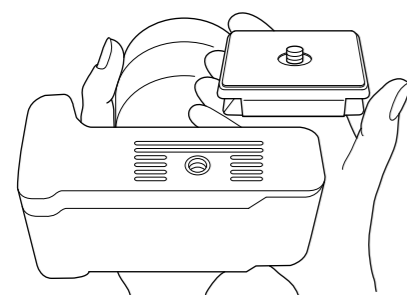


In this case, please do not put the Quick release plate locking lever back by force as it has been stood by the Stopper.

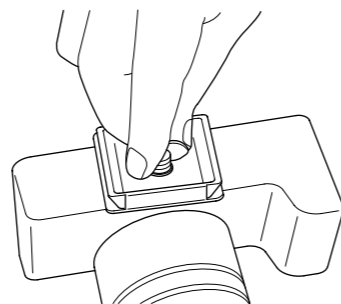
Using the head (Continued)



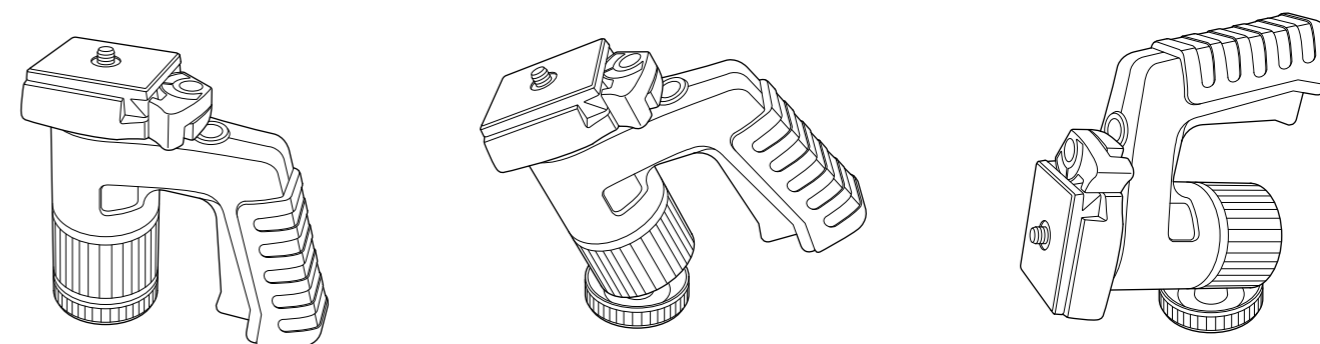
The position of the Grip can be freely chosen as the Camera platform rotates. Please fix the Camera platform with the Locking lever when you decide your required position.



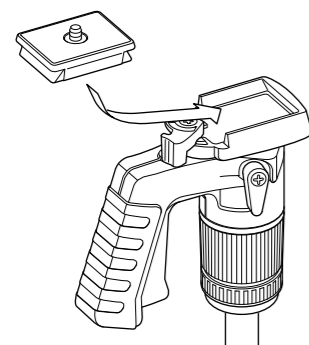
Insert the Camera Mounting Screw of the Plate in the place of the tripod attachment screw of your camera.



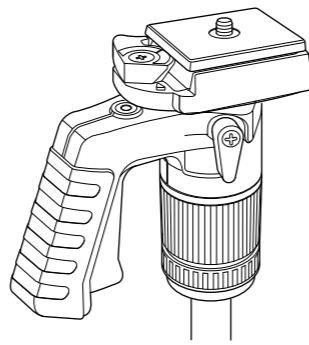
Turn the Camera mounting screw knob and fix firmly.



The ball head can be inclined up to 90 degrees to the direction of the Skirt of U-ditch. You can get any angles if you use the rotation of the Skirt and the Camera platform.



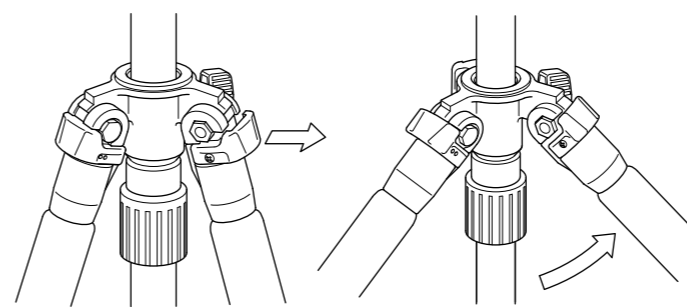
Attach the plate slid aslant from the Quick release plate locking lever. It will be closed automatically after attaching.



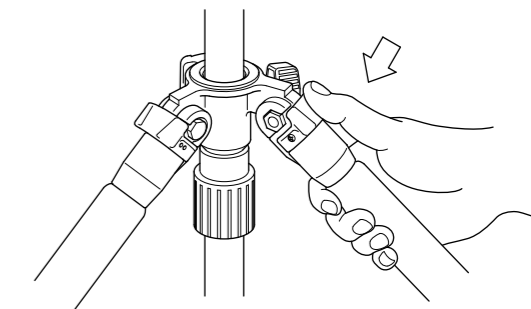
Fasten the plate locking lever to the side of lever fixation. It will be certainly fixed.

Three position adjustable legs

⚠ Caution

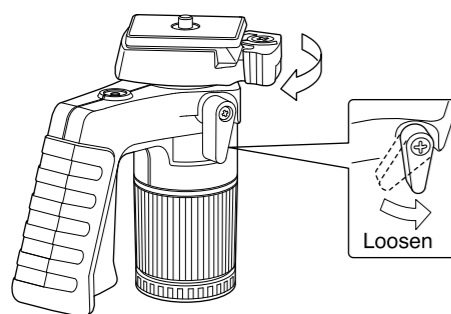


To change the angle of each leg, close the Leg slightly, and then pull the leg angle adjustment lock out. There is a choice of two other angle positions.

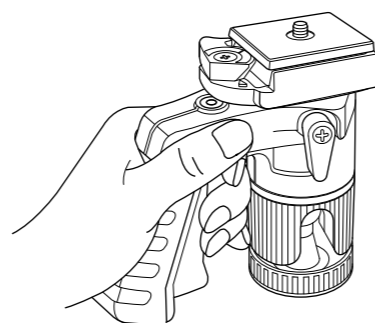


After choosing the desired leg angle, securely push in the adjustment lock.

Using the head



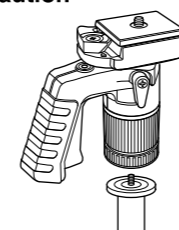
The Camera platform rotates when the Camera platform locking lever is loosened in the direction of the arrow.



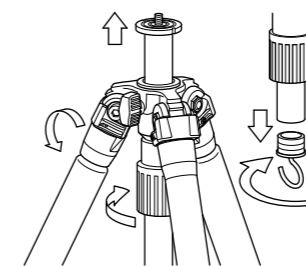
It moves when the Grip is grasped, and pull the Trigger. The Skirt also rotates. If the Trigger is released, it locks.

Inverting the Center column

⚠ Caution

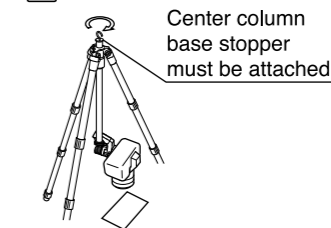


Remove the Pan head when inverting or replacing the Center column.



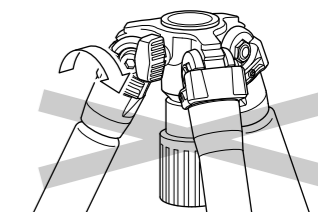
Remove the Center column base stopper turning to the direction of arrow. Loosen the Center column stopper and Center column locking nut, then pull out the Center column.

⚠ Caution



Center column base stopper must be attached. Insert the Center column from the lower side of the Main body, tighten the Center column locking nut and the Center column stopper. Make sure to re-attach the Center column base stopper in order to prevent the Center column falling out accidentally.

⊘ Prohibition



Please do not turn the Center column stopper while a Center column or optional Short center column attached on. The internal parts may be damaged.