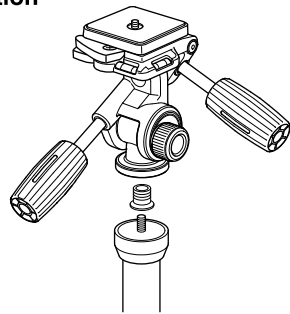
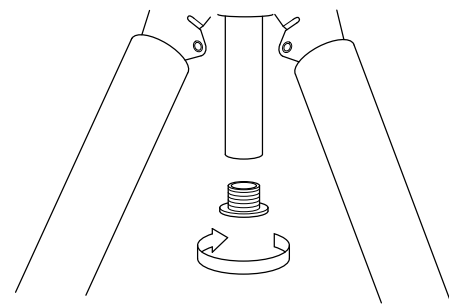


Inverting the center column

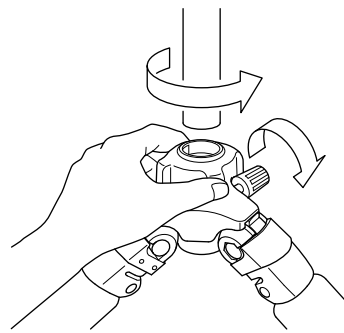
⚠ Caution



Always remove the pan head first before replacing the center column.



Remove the center column base stopper from the bottom of the center column.



Loosen the center column stopper and the locking collar, and then pull out the center column.

SLIK®

PRO 780DX, PRO 580DX Tripod

Operating Instructions

Thank you very much for choosing SLIK PRO780DX, PRO580DX Tripod. The SLIK Corporation has designed your tripod to be a sturdy, rugged, dependable product that will provide you with many years of satisfactory use.

Please take a few moments to read this instruction sheet carefully before use so that you can take full advantage of your Tripod's many fine features.

Retain this instruction sheet in case you might want to refer back to it.

⚠ Caution

This caution icon refers to information pertaining to important safety procedures in preventing injuries, or damages which may occur as a result of mishandling this product.

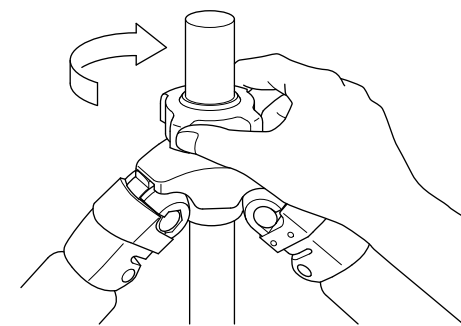
🚫 Prohibition

This prohibited icon refers to information pertaining to prohibited contents. Please refer to instructions closely to avoid accidents.

Specification

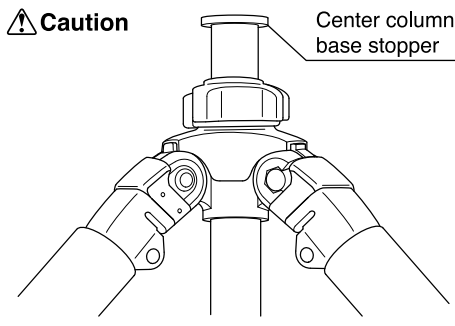
PRO 780DX	
Length folded	815mm (32 1/8")
Max. operating height	1,930mm (75 11/12")
Max. center column ext.	380mm (14 11/12")
Weight	3.67kg (8lbs 2oz)
PRO 580DX	
Length folded	730mm (28 9/12")
Max. operating height	1,679mm (66 1/12")
Max. center column ext.	260mm (10 1/4")
Weight	2.78kg (6lbs 3oz)

J918-2

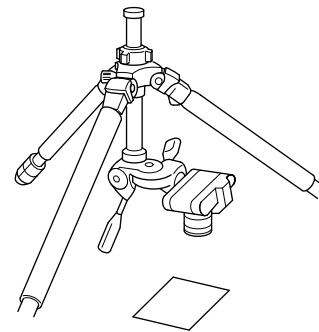


Insert the center column from lower side of main body, and tighten the locking collar and the center column stopper.

⚠ Caution

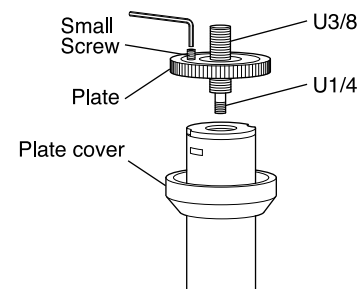


Always be sure to return the center column base stopper back on the center column. This prevents the center column pulled out accidentally.



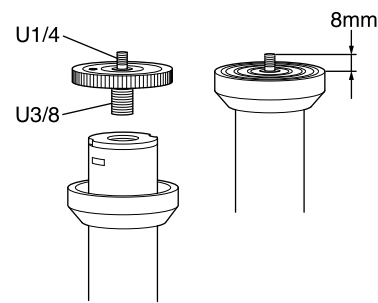
By inverting the center column, it is possible to do copy and close up work.

How to change the pan head fixing screw (for PRO 780DX only)



The pan head fixing screw is reversible for either large thread (U3/8) or small thread (U1/4).

1. Move the plate cover down.
2. Loosen the small screw in about three turnings with an allen wrench (2mm width).
3. Loosen the plate without removing the small screw.



4. Loosen the pan head fixing screw and pull it out. Then, screw it in again after reversing top and bottom.
5. Adjust the height of screw in approx. 8mm above the plate, and then tighten the small screw by an allen wrench.
6. Put the plate cover back.

Care of the Tripod

- DO NOT apply any grease or oil to this product.
- Clean with a mild detergent and a soft cloth only.
- DO NOT use close to flame. Avoid extreme heat.

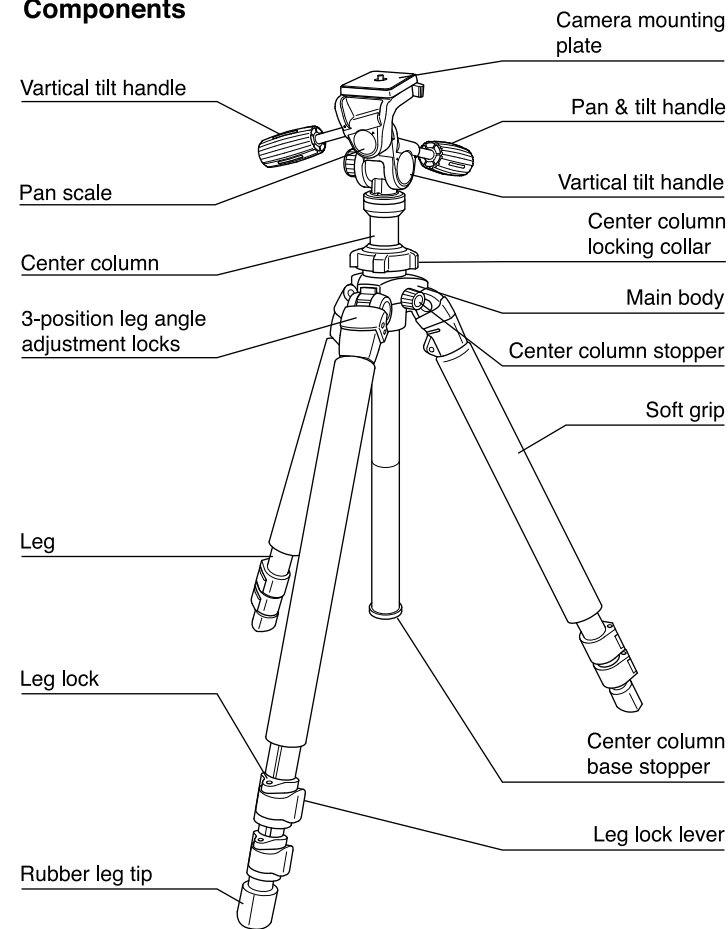


SLIK Corporation reserves the right to make changes in design and/or improvements on the products without any obligation and advanced notice.

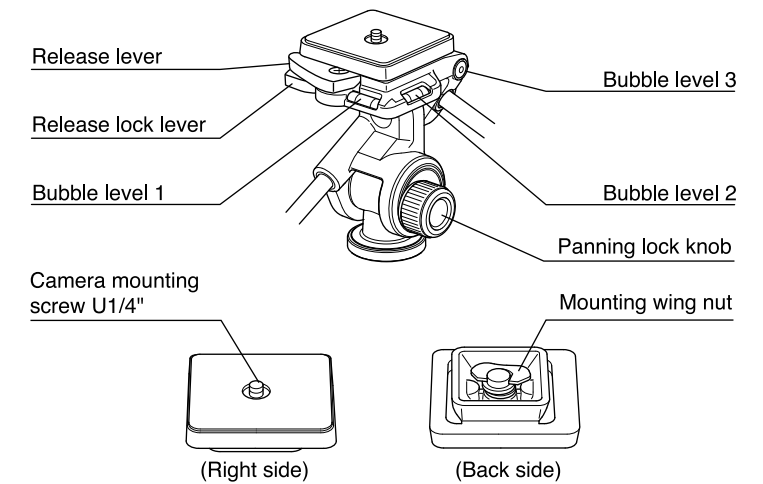
SLIK CORPORATION
853 Kayama, Hidaka City, Saitama 350-1231 Japan Phone 81-42-989-2141, Fax. 81-42-985-0210 ©2010

Printed in Thailand

Components

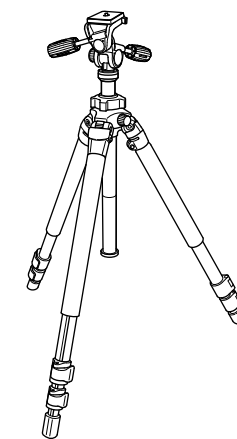


Pan head



Equipment that can be loaded on this tripod

Maximum loading capacity.
PRO 780DX : 10kg
PRO 580DX : 7kg



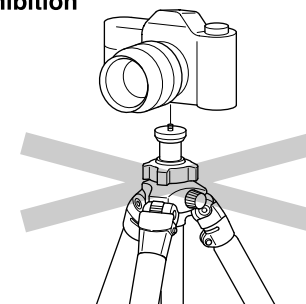
PRO 580DX

⚠ Caution

Soft grip is consumption and cannot be used permanently. Please replace it whenever ragged.

Pan head mounting post

🚫 Prohibition

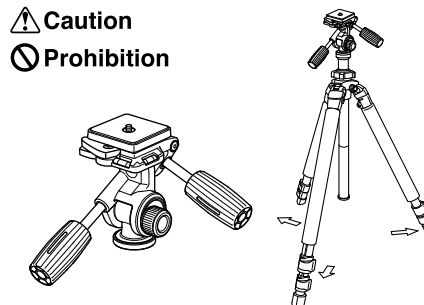


Do not attach a camera directly to the attachment screw of the center column. This may damage both your camera and tripod.

Setting up

⚠ Caution

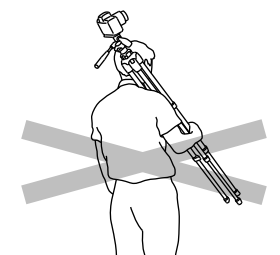
🚫 Prohibition



To prevent accidental equipment fall or tripod tipping over making sure all levers, knobs and handles on the tripod are securely tightened, and all three legs are opened all the way.

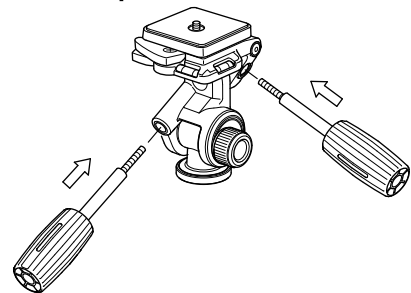
Carrying the tripod

🚫 Prohibition



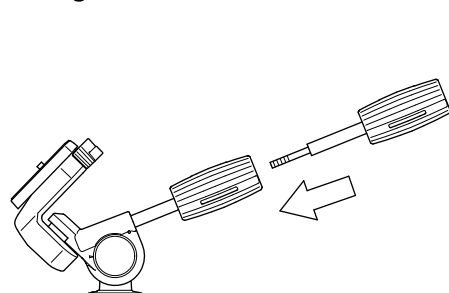
Carrying a tripod with a camera left on can result in unexpected accidents. We, therefore recommend you to remove your camera while you are carrying the tripod.

Install the panhandle



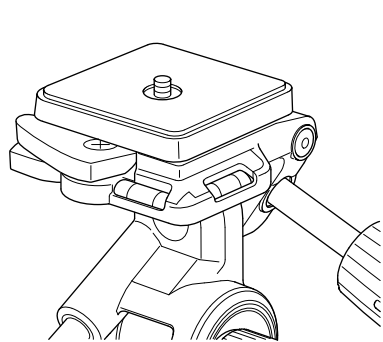
The panhandles are installed as shown in the picture. Handle on the left is for pan and tilt movement and the handle on the right is for vertical tilt. Both handles are same. You can install the handle either place.

Storage



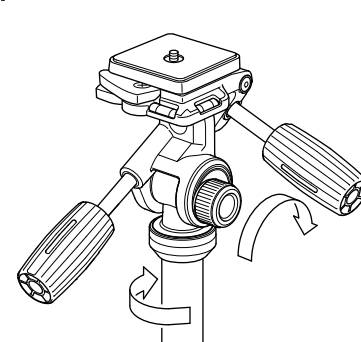
Remove the vertical tilt handle from the panhead and screw into the back of the pan & tilt handle.

Built-in level



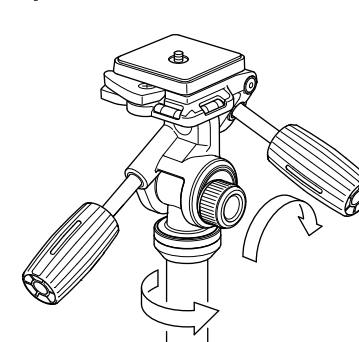
Three bubble levels are built-in for vertical and horizontal positioning.

Setting the pan head from the center column



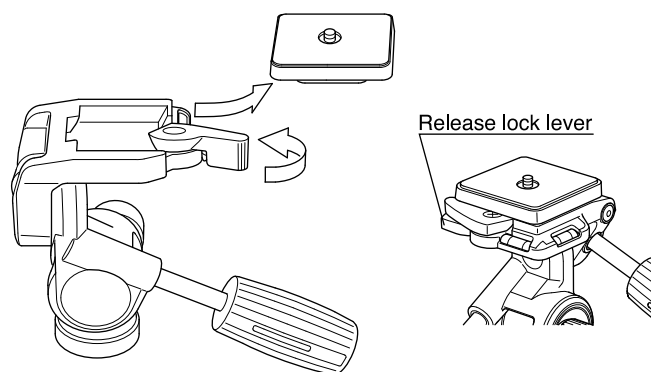
Set the new head or accessory on the tripod's threaded post, and turn clockwise until it comes to a stop. Tighten the panning lock knob and turn clockwise slightly more.

Removing the pan head from the center column

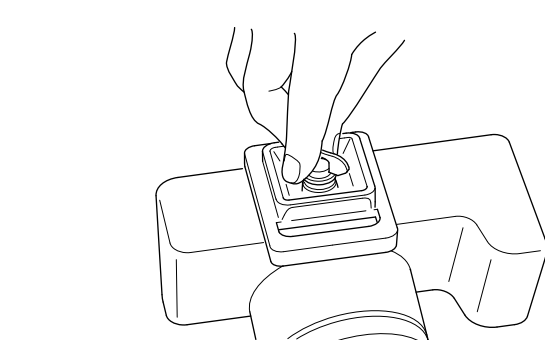


Lock the panning lock knob tightly. Grasp the pan handle and turn the whole head counter-clockwise to loosen. Then loosen the panning lock knob and it will be easy to unscrew the head by rotating the base.

Attaching the camera to the quick release platform

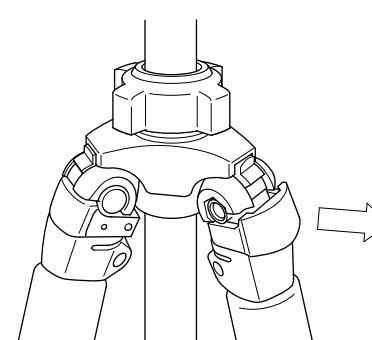


A fixed lever must be opened while pushing the release lock lever, and the plate is pulled out toward the fixed lever side diagonally.



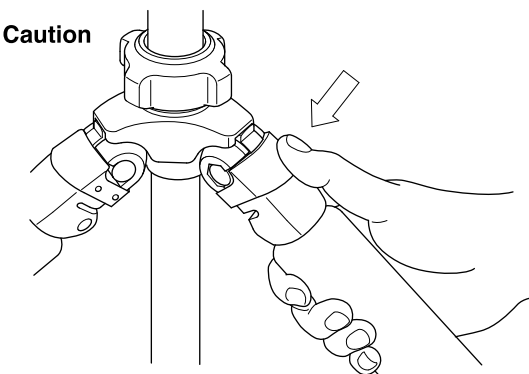
Set the platform along the base of the camera body and securely tighten the mounting wing nut.

Three position adjustable legs



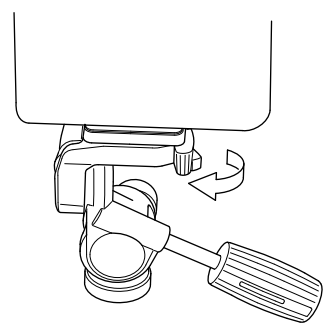
To change the angle of each leg, close the leg slightly, and then pull the leg angle adjustment lock out. There is a choice of two other angle positions.

⚠ Caution

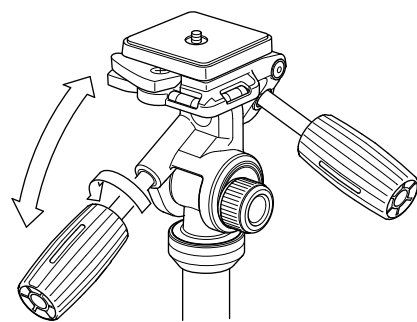


After choosing the desired leg angle, securely push in the adjustment lock.

Using the pan head

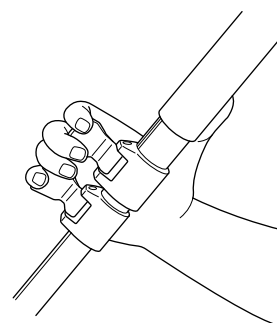


When you fix this quick release platform to pan head, the quick release lock lever will return to the original position automatically. We, however, recommend you to tighten this lever up to secure the fixing.



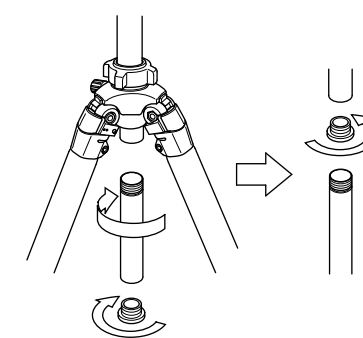
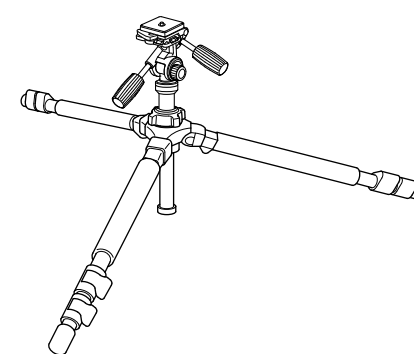
Loosen the panning handle to move the head freely front and rear.

Extending the tripod legs

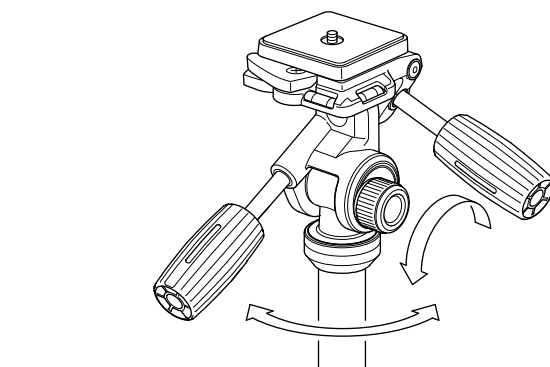


Flip up the leg lock lever to extend or shorten any of the individual leg sections to the desired length. Press the leg lock lever flush against the leg to lock.

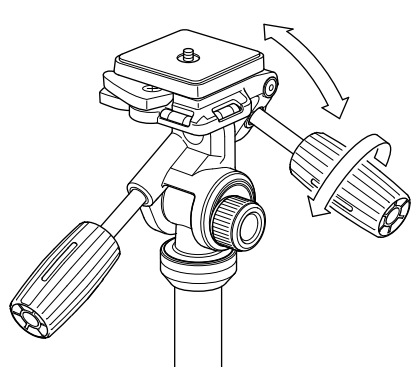
How to get low position shots



Remove the center column base stopper. Then remove the lower part of center column. Put the center column base stopper in from the upper part of center column.

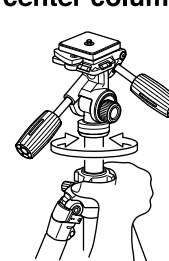


Loosen the panning lock knob to rotate the head.



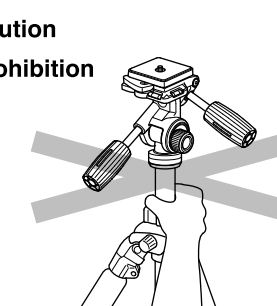
Loosen the vertical tilt handle to adjust the level. The pan head is specially lubricated for smooth movement.

Using the center column

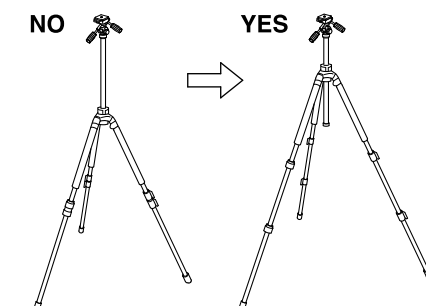


Hold the pan head with one hand. Loosen the center column stopper and the center column locking collar with the other hand. Raise or lower pan head to desired height. While maintaining a hold you desired height of the pan head, tighten the locking collar and the stopper.

⚠ Caution
⊘ Prohibition



You may be injured by a sudden fall if you remain pan head without tightening up locking collar. Make sure to turn the locking collar with your hand on the side of the collar.



To avoid unnecessary camera vibrations, try to keep the center column height to a minimum. Also use the larger legs first when extending the legs.