

Pan Head SH-521

Operating Instructions

Thank you very much for choosing SLIK Pan head.

SLIK Corporation has designed your pan head to be a sturdy, rugged, dependable product that will provide you with many years of satisfactory use.

Please take a few moments to read this operating instruction carefully before use so that you can take full advantage of your Pan head's many fine features.

Retain this operating instruction in case you might want to refer back to it.

⚠ Caution

This caution icon refers to information pertaining to important safety procedures in preventing injuries, or damages which may occur as a result of mishandling this product.

🚫 Prohibition

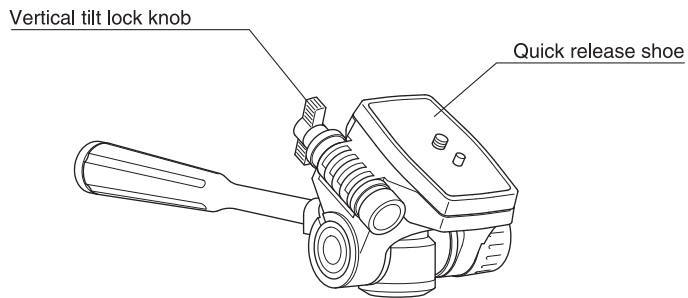
This prohibited icon refers to information pertaining to prohibited contents. Please refer to instructions closely to avoid accidents.

Specification

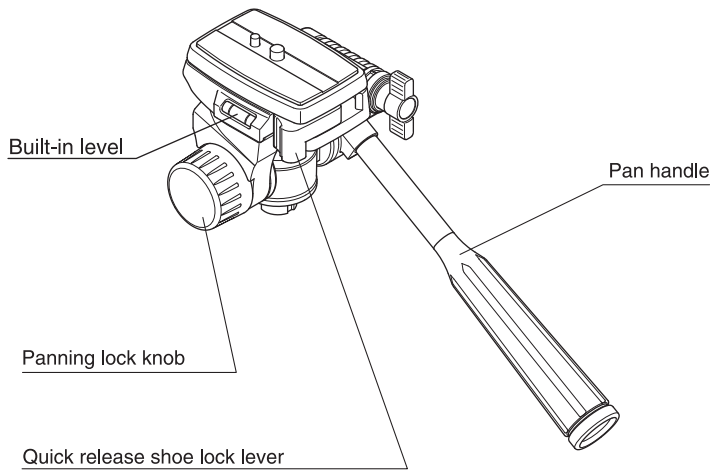
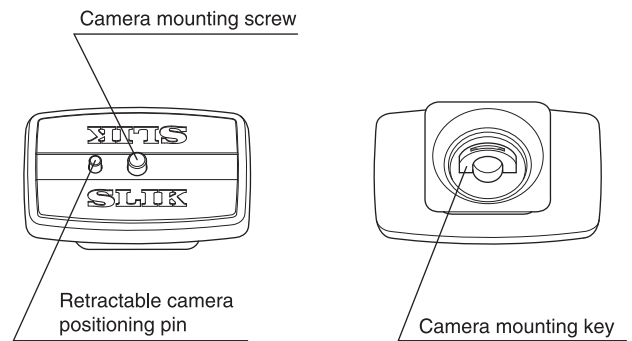
| | |
|-----------------------|----------------|
| Height | 75mm (3") |
| Weight | 310g (11oz) |
| Camera mounting screw | 1/4-20 UNC |
| Tripod mounting screw | 1/4-20 UNC |

L994

Components



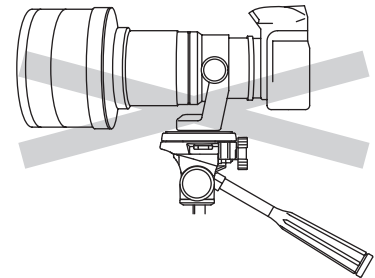
Quick release shoe



Equipment that can be used with this pan head

⚠ Caution

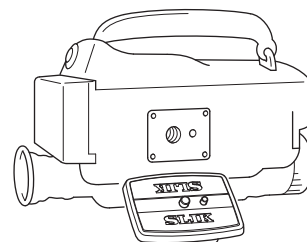
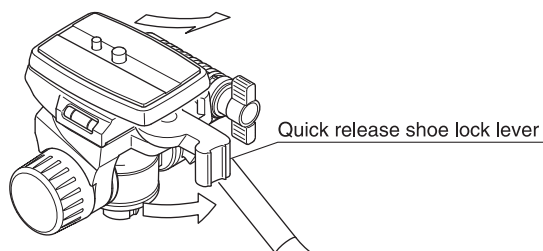
🚫 Prohibited



This product has been designed to handle equipment weighing under 1.5 kg (3 lbs 5 oz). Do not overload.

Some equipment weighing under 1.5 kg (3 lbs 5 oz), such as long lenses, may not balance well due to its weight distribution. In such case, please use a larger tripod.

Attaching the camera to the quick release shoe



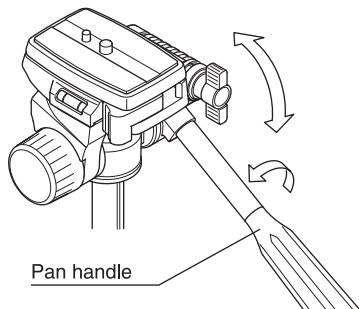
The retractable camera positioning pin enables you to mount both a video camera and a still camera.

Remove the quick release shoe from the pan head turning the quick release shoe lock lever.

Use the camera mounting key to tighten the camera mounting screw into the tripod socket of your camera, then fold the mounting screw knob.

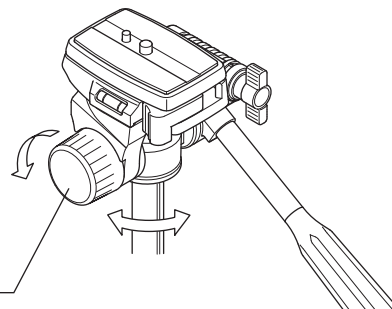
For the video camera, attach your video camera to the quick release shoe after setting the retractable camera positioning pin and the hole of your video camera. Then, return the quick release shoe onto the pan head and fix it firmly.

How to use the 3-way pan head

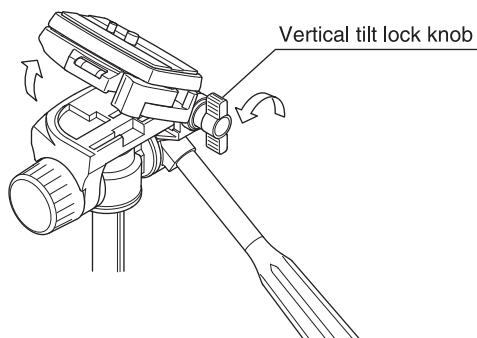


Slik's 3 way pan head allows your still, or video camera, three independent movements.

Turn the Pan Handle counterclockwise until you feel it loosen, and you can tilt the camera up and down. When you have the angle you want, tighten the handle in a clockwise direction until it locks in.

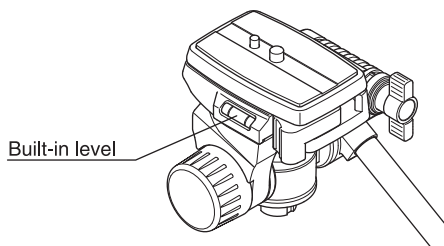


To rotate the camera left or right, loosen the panning lock knob. When you want to lock in at a certain position, tighten the knob.



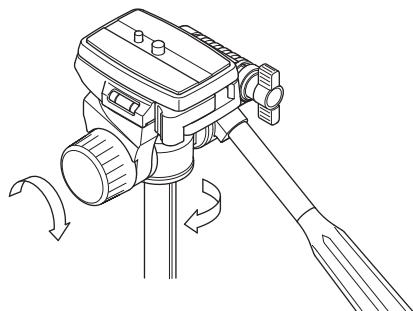
For vertical position shots with your still camera, loosen the vertical tilt lock Knob, and tilt the camera platform to the desired position. Then lock the vertical tilt lock knob.

Built-in level



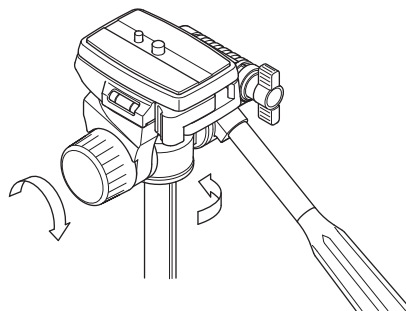
Adjust the built-in level to fit into the middle.

Setting the pan head from the center column



Set the pan head on the tripod's threaded post, and turn clockwise until it comes to a stop. Tighten the panning lock knob and turn clockwise slightly more.

Removing the pan head from the center column



Lock the panning lock knob, then grasp the pan handle and turn the head, counter-clockwise to loosen.

Care of the Tripod

- DO NOT apply any grease or oil to this product.
- Clean with a mild detergent and a soft cloth only.
- DO NOT use close to flame. Avoid extreme heat.



Slik Corporation reserves the right to make changes in design and/or improvements on the products without any obligation and advanced notice.

SLIK CORPORATION

853 Kayama, Hidaka City, Saitama 350-1231 Japan Phone 81-42-989-2141, Fax. 81-42-985-0210 ©2009