

Operating Instructions

Thank you very much for choosing VIDEO SPRINT II.

SLIK Corporation has designed your tripod to be a sturdy, rugged, dependable product that will provide you with many years of satisfactory use.

Please take a few moments to read this operating instruction carefully before use so that you can take full advantage of your Tripod's many fine features.

Retain this operating instruction in case you might want to refer back to it.

⚠ Caution

This caution icon refers to information pertaining to important safety procedures in preventing injuries, or damages which may occur as a result of mishandling this product.

🚫 Prohibition

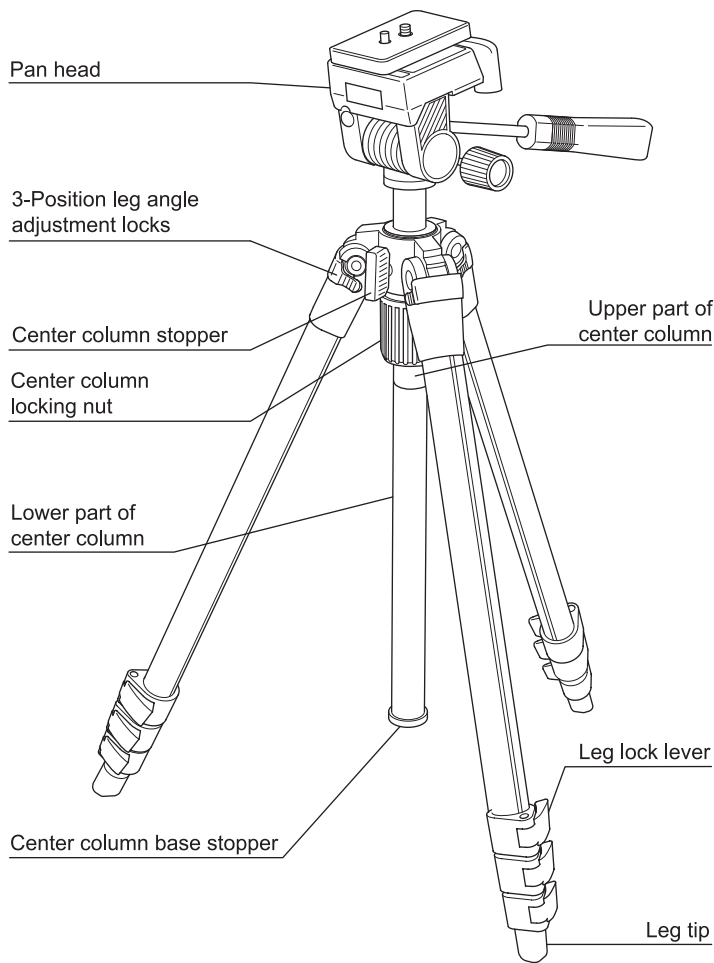
This prohibited icon refers to information pertaining to prohibited contents. Please refer to instructions closely to avoid accidents.

Specification

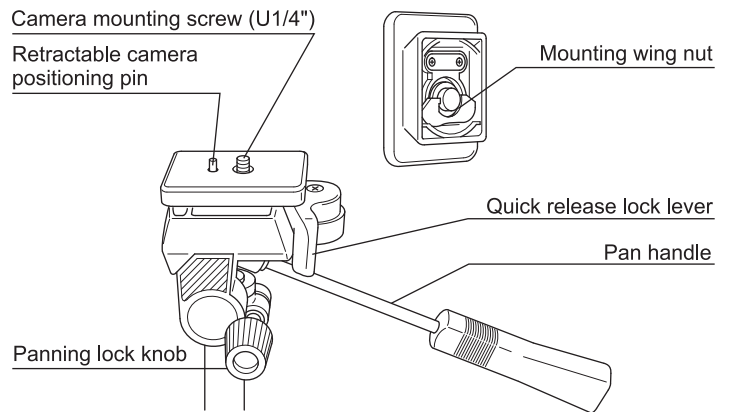
Max. operating height	1,622 mm (63 5/8")
Folded length	480 mm (18 1/2")
Max. center column ext.	300 mm (11 3/4")
Weight	1,040 g (2lbs 5oz)

H183

Components



Pan head



Equipment that can be loaded on this Tripod

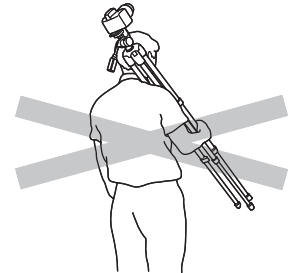
🚫 Prohibition

This product has been designed to handle equipment weighing under 2 kgs (4 lbs 6 oz). Do not overload.

Some equipments weighing under 2 kgs (4 lbs 6 oz), such as long lenses, may not balance well due to its weight distribution. In such case, please use a larger tripod.

Carrying the Tripod

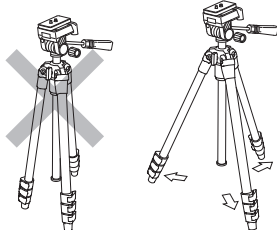
🚫 Prohibition



Carrying a tripod with a camera left on can result in unexpected accidents. We therefore, recommend you to remove your camera while carrying the tripod.

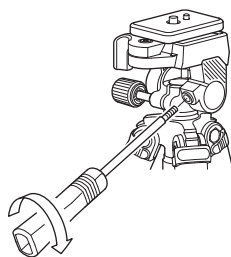
Setting up

⚠ Caution



Prevent accidental equipment fall, or tripod tipping over, by making sure all levers, knobs, and handles on the tripod are securely tightened, and that all three legs are opened all the way.

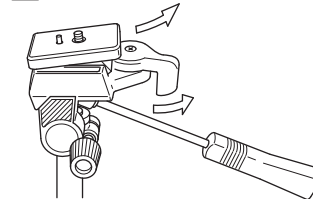
Install the Pan handle



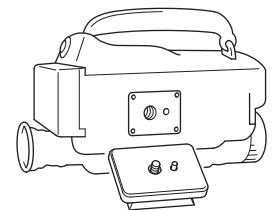
Install the Pan handle to the appropriate position on the Pan head.

Attaching the camera to the Quick release platform

⚠ Caution

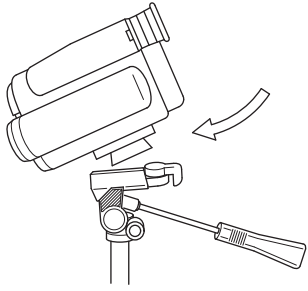


Remove the Quick release platform turning the Lock lever. In this case, please do not put the Lock lever back by force as it has been stood by the Stopper.

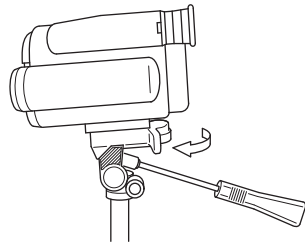


Match Video camera positioning pin with the positioning hole in your camera. If your camera has no positioning hole, the Positioning pin will retract. Screw the camera post into the camera.

Attaching the camera to the Quick release platform (Continued)

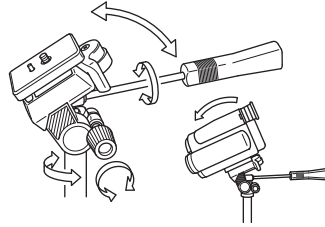


With your camera mounted on the Quick release, move the Quick release lock fully to the right and place your camera into position.



To lock the camera to the tripod, move the Quick release lock back fully to the left.

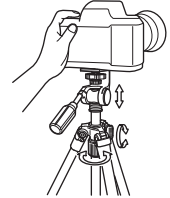
Using the Fluid head



If a pan handle and a pan stopper are loosened, the tilting and the panning can be carried out respectively.

Be careful of inclination of your camera when you left your hands from the pan handle. Please lock the center column (elevator) stopper when you carry out panning.

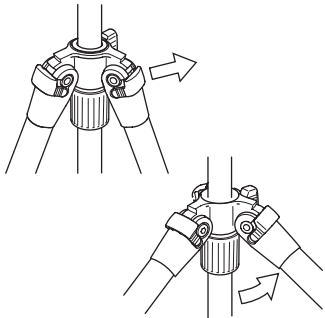
How to use the Center column



Please loosen the Center column stopper while holding the Pan head and then, loosen the Center column locking nut.

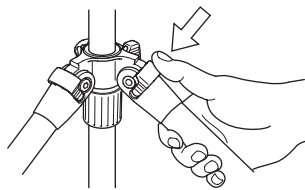
After the fixing of your desired height, tighten the both the Center column stopper and the Center column locking nut firmly before you keep your hands away from the Pan head.

Three position adjustable legs



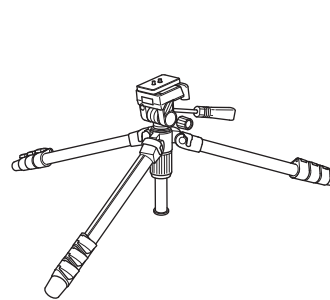
To change the angle of each leg, close the leg slightly. Then pull the 3-position leg angle adjustment locks. There is a choice of two other angle positions.

Caution

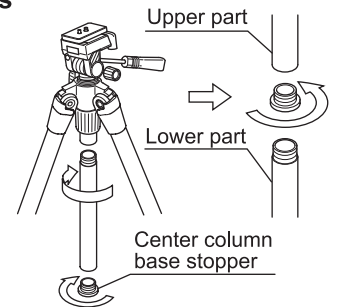


After choosing the desired leg angle, securely push the Adjustment lock.

How to get low position shots

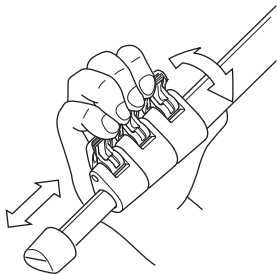


You can get lower height as show the above.



Remove the Center column base stopper. Then remove the Lower part of Center column. Put the Center column base stopper in to the Upper part of Center column.

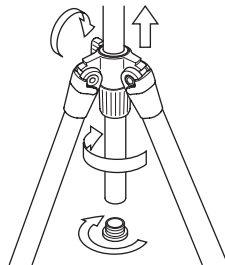
Extending/Folding of Tripod Legs



Flip up the Leg lock lever to extend or shorten any of the individual leg sections to the desired length.

Press the leg lock lever flush against the leg to lock.

Invertible Center column

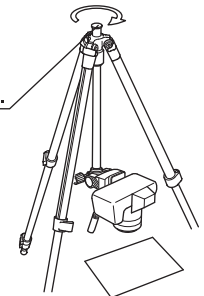


It can be used for digital copy/or close-up photography when a Center column is inserted from the bottom.

Remove a Center column base stopper. Then loosen a Center column stopper and Center column locking nut.

Caution

Center column base stopper should be attached.



Insert a Center column from the bottom. Tighten a Center column stopper and Center column locking nut firmly.

Please also make sure to attach a Center column base stopper for fall prevention.

Care of the Tripod

- DO NOT apply any grease or oil to this product.
- Clean with a mild detergent and a soft cloth only.
- DO NOT use close to flame. Avoid extreme heat.

